

Two-Post Lift - Floor Plate

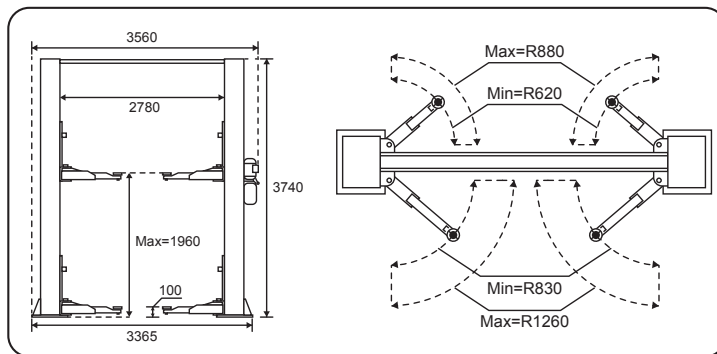
9TYP821

Two-Post Lift - clear floor

9TYP822

9TYP823

- Electrical release easy to operate, more safe and reliable just by pressing the button
- Equalization of two steel cables force both sliding blocks to move synchronously, effectively prevent the vehicle from tilting
- Equip aluminum motor and car door-opening protection as standard configuration.
- Reliable oil cylinder, adopts chrome-plating honed cylinder and piston rod, with high quality seals on hydraulic rams, ensure long service life
- Passed 115% dynamic test and 150% static test



9TYP8221A-04A-B
9TYP8222A-04A-B



9TYP8211A-04A-B
9TYP8212A-04A-B



9TYP8231A-04A-B
9TYP8232A-04A-B

KT NO.	Input voltage	Capacity (T)	N.W (kg)	G.W (kg)	CUFT
9TYP8221A-04A-B	380V 50/60Hz	4	542	556	36.26
9TYP8222A-04A-B	220V 50/60Hz	4	542	556	36.26
9TYP8211A-04A-B	380V 50/60Hz	4	631	634	48.38
9TYP8212A-04A-B	220V 50/60Hz	4	618	637	48.38
9TYP8231A-04A-B	380V 50/60Hz	4	618	631	48.38
9TYP8232A-04A-B	220V 50/60Hz	4	618	631	48.38