



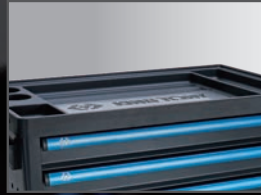
Features



• Side compartment



• Trash can hook



• Multi-functional working top



• Industrial TPR floor swivel casters

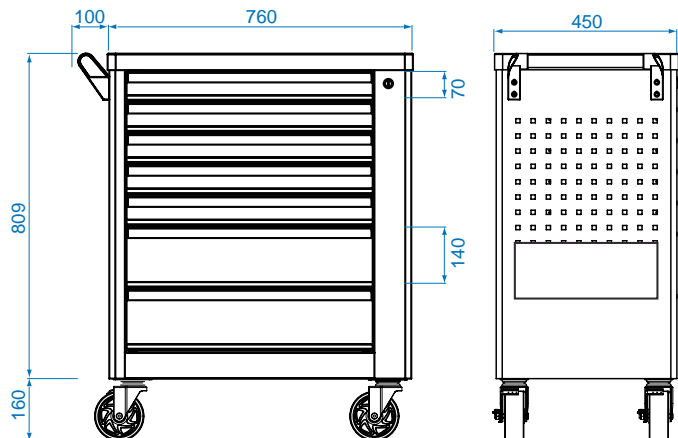
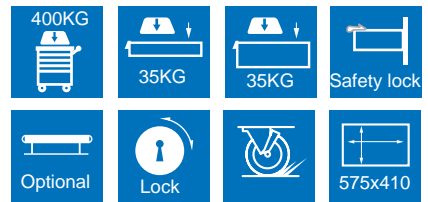
ECONOMIC

KT NO.	Static load	Casters	Drawers	Work top	100% Open	Risk-free	Bumper	Auto-return	Spec
87G38-7B-K	400	5" x 2"	5	Cutting mat	-	-	-	-	L

Tool Trolley

87G38-7B-K

- Each drawer is designed with a safety lock.
- Extra side compartment
- Multi-functional working top
- Side locking system



KT NO.	Spec.	Dimension(mm) Width x Depth x Height	Casters	Static load	Kg	CUFT
87G38-7B-K	Overall	760 x 458 x 809	5" x 2"	400 Kg	58	13.19
	Overall+4 Casters	760 x 458 x 969				
	5 Drawers	565 x 380 x 76				
	2 Drawer	565 x 380 x 152				