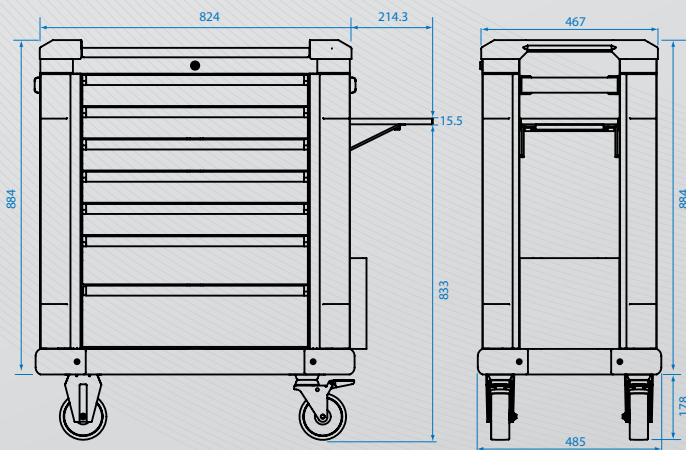




• Top platform



• Industrial TPR floor brakes casters



• Flat side panel

KT NO.	Spec.	Dimension(mm) Width x Depth x Height	Casters	Static load		CUFT
87G31-7B-BK	Overall	824 x 485 x 884	5" x 2"	350 Kg	75.00	16.85
	Overall + 4 Casters	824 x 485 x 1062				
	5 Drawers	575 x 410 x 70				
	1 Drawers	575 x 410 x 110				
	1 Drawers	575 x 410 x 140				

