



Tool Trolley



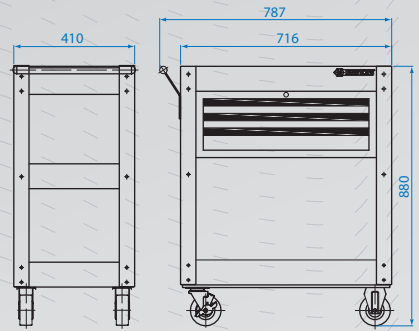
87441-1B

- 1 drawer trolley
- Two 3.5" deep trays are positioned for convenience



87441-3B

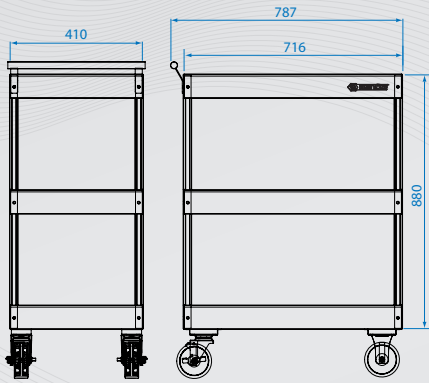
- 3 drawer trolley
- 2 PC. protective mat for top and bottom shelves
- 3 PC. protective drawer liners




87G41-B

new

- With multi-functional working top
- 4" x 1" Heavy duty casters (2 Fixed and 2 swivel with stop function)



KT NO.	Spec.	Dimension(mm) Width x Depth x Height	Casters	Static load		CUFT
87441-1B	overall	716 x 410 x 750				
	overall + 4" x 1-1/4" Casters	716 x 410 x 880	4" x 1-1/4"	540 Kg	23.2	2.7
	1 Drawer	569 x 275 x 75				
87441-3B	overall	716 x 410 x 750				
	overall + 4" x 1-1/4" Casters	716 x 410 x 880	4" x 1-1/4"	540 Kg	33.0	4.95
	1 Drawer	569 x 275 x 75				
	2 Drawer	569 x 275 x 50				
new 87G41-B	Overall	775 x 470 x 900	4" x 1"	150 Kg	13.9	4.56
	Overall + 4 Casters	775 x 470 x 1050				