

# Impact Bit Socket

## 8015M 1"

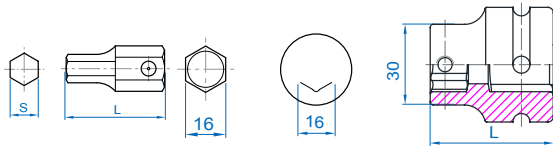
- HEXAGON head
- DIN 3121



KT NO.	mm	L mm	g	Box
801519M	H19	75	860	1 / 24

## 1954 809622M

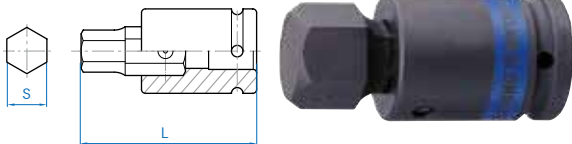
- Hex bit & bit holder
- DIN 3121



KT NO.	S mm	L mm	Max. Torq Nm	g	Box
195419H	H19	54.5	1577	140	12 / 120
195422H	H22	54.5	2436	162	12 / 120
195424H	H24	54.5	2436	176	10 / 100
195427H	H27	54.5	2436	200	10 / 100
195430H	H30	54.5	2436	232	6 / 60
195432H	H32	54.5	2436	243	6 / 60
809622M	22	60.0	-	756	1 / 24

## 809622MxxH 1"

- HEXAGON head
- DIN 3121



KT NO.	S mm	mm	L (mm)	Max. Torq Nm	g	Box
809622M19H	H19	22	93	1577	896	1 / 10
809622M22H	H22	22	93	2436	918	1 / 10
809622M24H	H24	22	93	2436	932	1 / 10
809622M27H	H27	22	93	2436	956	1 / 10
809622M30H	H30	22	93	2436	988	1 / 10
809622M32H	H32	22	93	2436	999	1 / 10

- Material - chrome molybdenum alloy steel
- Finishing - phosphate sunk

# Impact Accessory

## 8260 8260P 1"

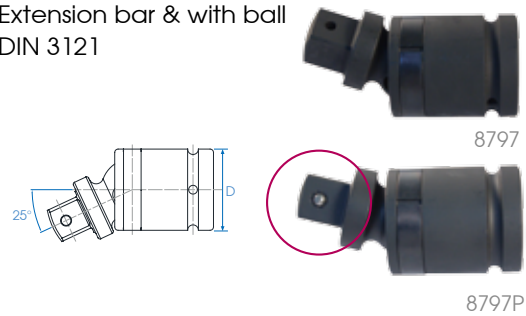
- Extension bar & with ball
- DIN 3121



KT NO.	Overall Length inch	mm	g	Box
8260-07	7	175	1393	1 / 12
8260-10	10	250	1891	1 / 12
8260-13	13	330	2455	1 / 8
8260-07P	7	175	1393	1 / 12
8260-10P	10	250	1891	1 / 12
8260-13P	13	330	2455	1 / 8

## 8797 8797P 1"

- Extension bar & with ball
- DIN 3121



KT NO.	Overall Length inch	mm	D mm	g	Box
8797	5	125	60	1530	1 / 18
8797P	5	125	60	1530	1 / 18

## 8866 8866P 1"

- Adapter & with ball
- Convert to 3/4" drive
- Max. torque: 2118 Nm
- DIN 3121



KT NO.	Spec.	g	Box
8866	1" F x 3/4" M	562	4 / 32
8866P	1" F x 3/4" M	562	4 / 32

