

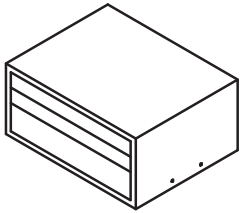


KING TONY

3 DRAWER CHEST FOR WORKBENCH

No.87502P022

⑦ 1 X



⑥ 2 X



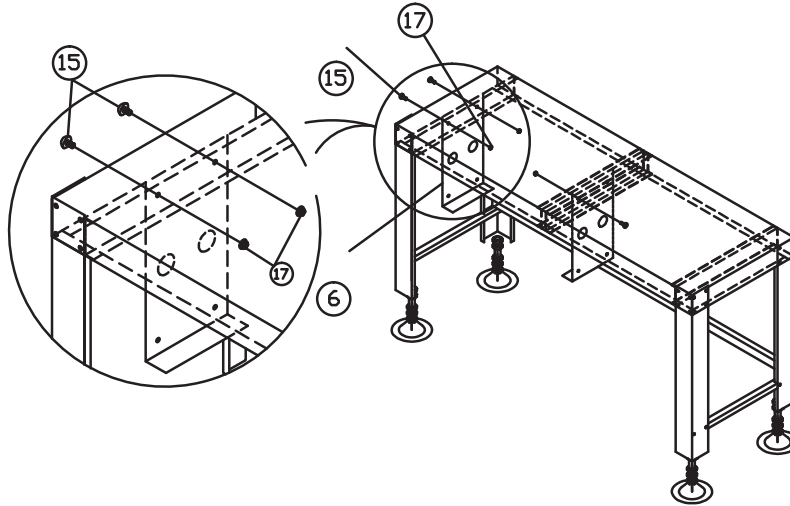
⑮ 8 X



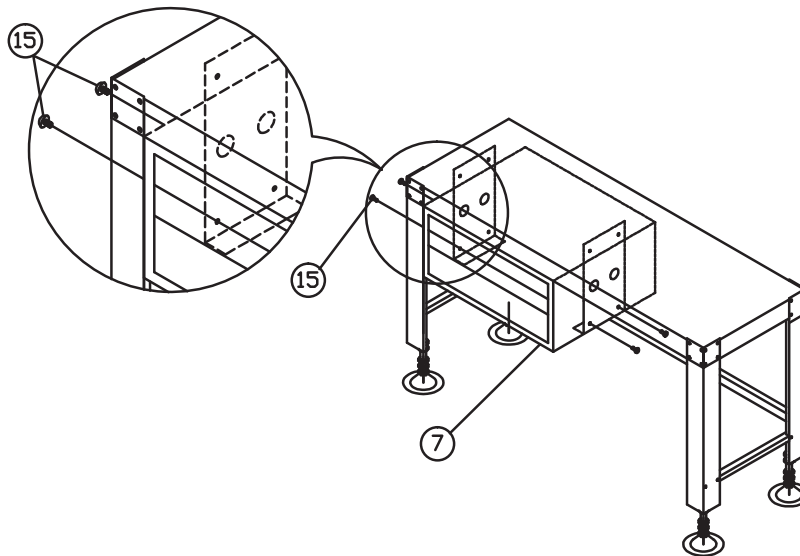
⑰ 4 X



STEP-1



STEP-2



STEP-3

