



TOOL CHEST



No.87411-6B



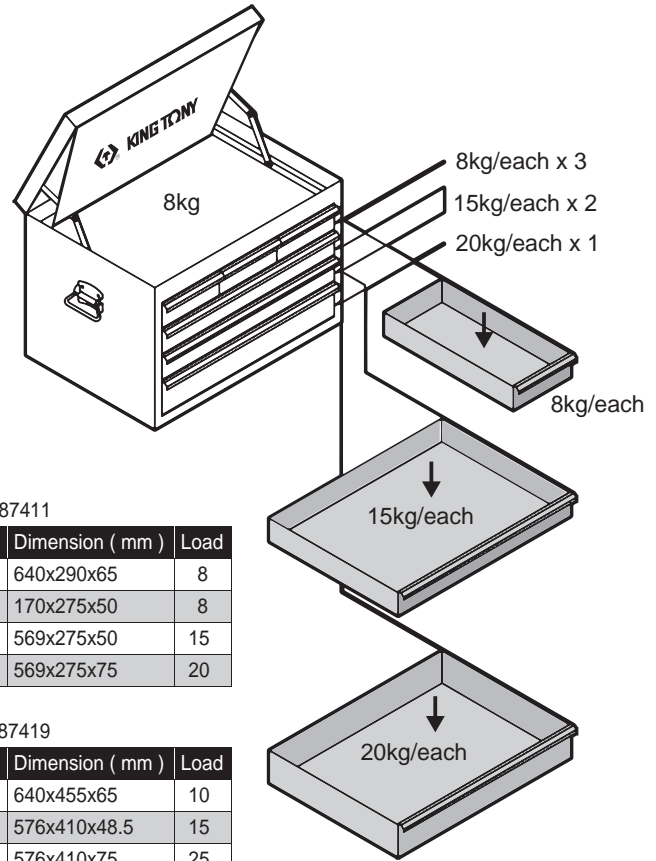
No.87411-9B



No.87419-5B

Enjoy your work

Loading Capacity



System 87411

Spec.	Dimension (mm)	Load
Top	640x290x65	8
Drawer	170x275x50	8
	569x275x50	15
	569x275x75	20

System 87419

Spec.	Dimension (mm)	Load
Top	640x455x65	10
Drawer	576x410x48.5	15
	576x410x75	25

TOOL BOX

Please read these instructions carefully

Boxes that have no front locking panel are equipped with a locking mechanism actuated by the lid.

When the lid is closed, tabs in the lock bar engage the pockets on the drawers. When the lid is open,

the tabs are raised clear of pockets.

Important: The drawers must be fully closed before the lid is shut.

DO NOT slam the drawers when the lid is shut; they will not lock and damage to lock bar tabs or

lock pockets may occur.

Should this happen, remove the drawer and straighten out the deformed tab with a screwdriver.

For the lock pockets, a pair of pliers should be used. See (1A) lock bar tab and (1B) lock pocket.

Removal/Re-installation of Drawers:

- To remove, pull drawer fully open. Push in the plastic level (2) on both sides to release drawer from slides.

Pull the drawer out.

- To re-install, line up the drawer slides, engage, and close the drawer completely.

Lubrication

To ensure smooth operation of the slides, lubricate them periodically with

a light grease or petroleum jelly.

Do this at least twice a year or more, depending on the frequency of use.

