



TOOL CHEST



No.87411-6B



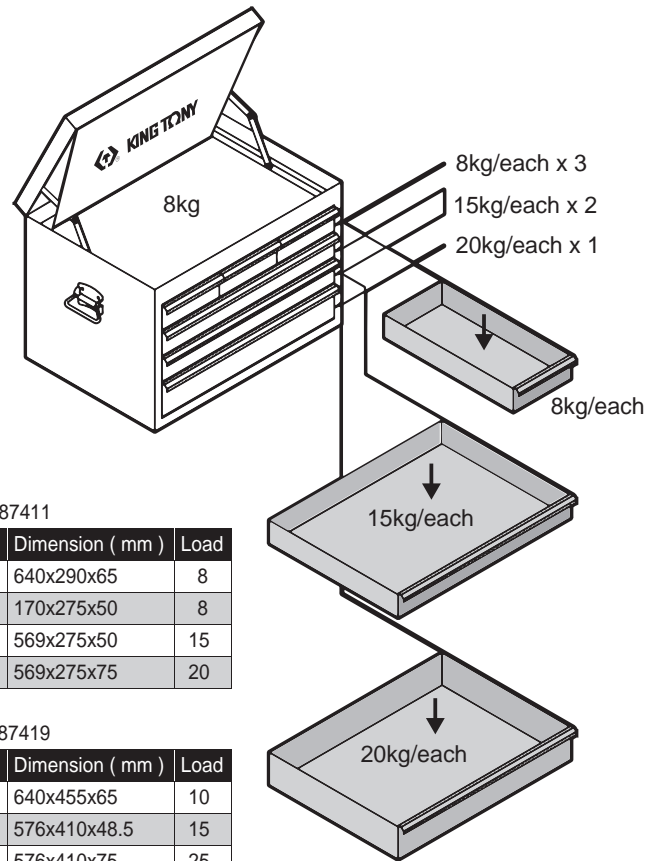
No.87411-9B



No.87419-5B

Enjoy your work

Loading Capacity



System 87411

Spec.	Dimension (mm)	Load
Top	640x290x65	8
Drawer	170x275x50	8
	569x275x50	15
	569x275x75	20

System 87419

Spec.	Dimension (mm)	Load
Top	640x455x65	10
Drawer	576x410x48.5	15
	576x410x75	25

TOOL BOX

- Please read these instructions carefully
- Boxes that have no front locking panel are equipped with a locking mechanism actuated by the lid.
- When the lid is closed, tabs in the lock bar engage the pockets on the drawers. When the lid is open, the tabs are raised clear of pockets.
- Important: The drawers must be fully closed before the lid is shut.
- DO NOT slam the drawers when the lid is shut; they will not lock and damage to lock bar tabs or lock pockets may occur.
- Should this happen, remove the drawer and straighten out the deformed tab with a screwdriver.
- For the lock pockets, a pair of pliers should be used. See (1A) lock bar tab and (1B) lock pocket.

Removal/Re-installation of Drawers:

- To remove, pull drawer fully open. Push in the plastic level (2) on both sides to release drawer from slides.

Pull the drawer out.

- To re-install, line up the drawer slides, engage, and close the drawer completely.

Lubrication

- To ensure smooth operation of the slides, lubricate them periodically with a light grease or petroleum jelly.
- Do this at least twice a year or more, depending on the frequency of use.

