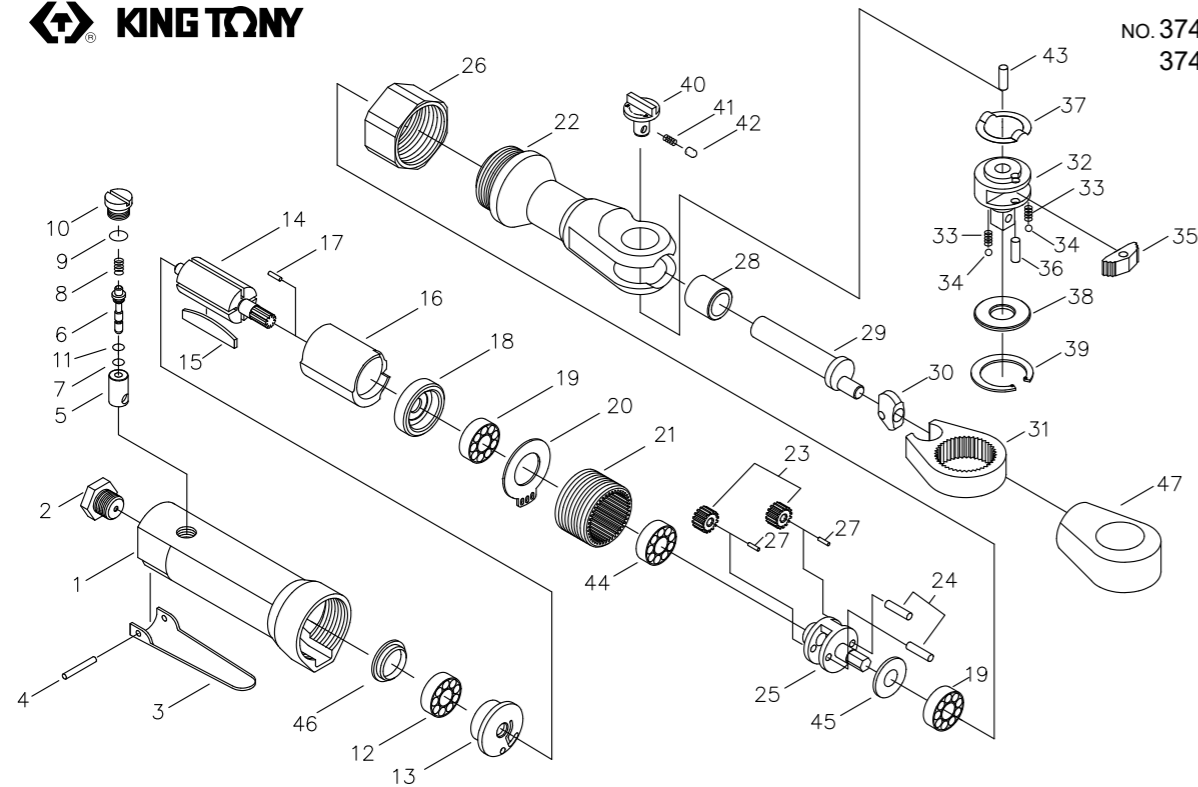


1/2" DR. RATCHET WERENCH



NO. 37435-075
37435-076



INDEX NO.	KT No.	DESCRIPTION	REQ'D NO.	INDEX NO.	KT No.	DESCRIPTION	REQ'D NO.
1	037335-A01	Housing	1	26	037335-A26	Clamp Nut	1
2	037335-A02	Air Inlet (For 19 BSPT)	1	28	037335-A28	Needle Bearing	1
2A	037335-A02A	Air Inlet (For 18 NPT)	1	29	037335-A29	Crank Shaft	1
3	037335-A03	Throttle Level	1	30	037335-A30	Drive Bushing	1
4	037335-A04	Roll Pin	1	31	037335-A31	Ratchet Yoke	1
5	037335-A05	Valve Bushing	1	32	037435-A32	Ratchet Anvil	1
6	037335-A06	Valve Stem	1	33	037335-A33	Spring	2
7	037335-A07	O-Ring	1	34	037335-A34	Steel Ball	2
8	037335-A08	Spring	1	35	037335-A35	Pawl	1
9	033471-A42	O-Ring	1	36	037335-A36	Pin	1
10	037335-A10	Valve Plug	1	37	037335-A37	Washer	1
11	037335-A11	O-Ring	1	38	037435-A38	Thrust Washer	1
12	037335-A12	Rear Bearing	1	39	037335-A39	Retainer Ring	1
13	037335-A13	Rear Plate	1	40	037435-A40	Reverse Button	1
14	037335-A14	Rotor	1	41	037335-A41	Spring	1
15	037335-A15	Rotor Blade	4	42	037335-A42	Lock Pin	1
16	037335-A16	Cylinder	1	43	037335-A43	Pin	1
17	037335-A17	Cylinder Pin	1	44	037335-A44	Ball Bearing	1
18	037335-A18	Front Plate	1	45	037335-A45	Washer	1
19	037335-A19	Front Bearing	2	46	037335-A46	Valve Plug	1
20	037335-A20	Washer	1	47	037335-A47	Boot	1
21	037335-A21	Thread Ring Gear	1	TK-01	037335-ATK1	Ratchet Anvil Assembly (incl. 32,33(2),34(2),35,36,38,40,41,42)	
22	037335-A22	Ratchet housing	1	TK-02	037435-ATK2	Idler Gear Assecmbiy (incl.23(1),27(11))	
23	037335-A23	Idler Gear Assembly	2	TK-03	037435-ATK3	Planct Cage Set (incl. 19,23(2),24(2),25,27(22)44,45)	
24	037335-A24	Idler Gear Pin	2				
25	037335-A25	Planet Cage	1				

20170206R1

Air Pressure : 6.2 Bar (90 PSI)

Inspec.	Square drive		Std. Bolt Size	Free Speed	Max. Torque		Overall Length		Air Inlet	Air Hose	Avg. Air Consumption		Net Weight		Sound Pressure Level A-weighted	Sound Power Level A-weighted	Vib. M/S2
	inch	mm			R.P.M	ft-lb	N.m	inch			mm	BSPT/NPT	ID	cfm			
37435-075	1/2"	3/8"	M10	200	75	102	10-1/4"	260	1/4" BSPT	3/8"	113.0	4.0	2.64	1.2	92.00	92.00	10.5
37435-076	1/2"	3/8"	M10	200	75	102	10-1/4"	260	1/4" NPT	3/8"	113.0	4.0	2.64	1.2	92.00	92.00	10.5

http://www.kingtony.com

8937435075-KT

192x288mm

