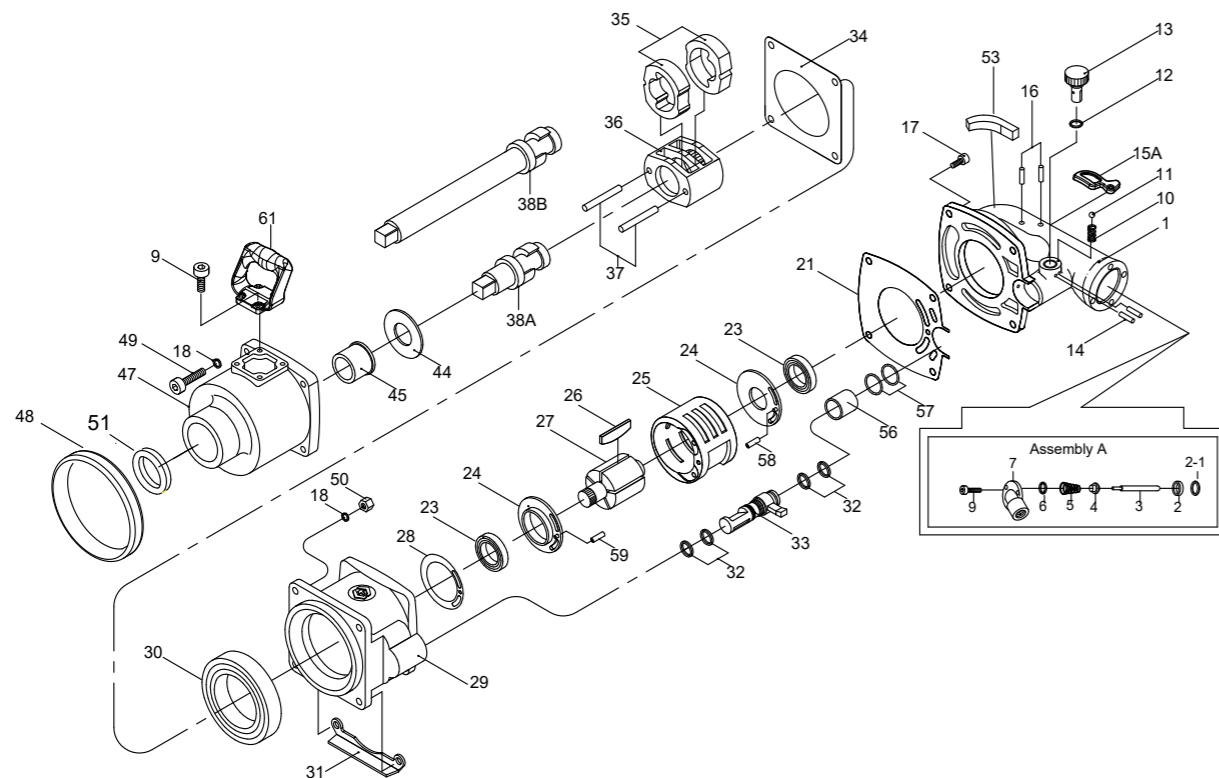


# 1" DR. IMPACT WRENCH



NO.33851-250  
33852-250



| INDEX NO. | KT No.      | DESCRIPTION                                  | REQ'D NO. | INDEX NO. | KT No.      | DESCRIPTION  | REQ'D NO. |
|-----------|-------------|--|-----------|-----------|-------------|--|-----------|
| ★ 1       | 033851-B01  | Backhead Assembly                            | 1         | 31        | 033851-B31  | Motor Housing Protector  | 1         |
| • 2       | 033812-A02A | Throttle Valve Seat                          | 1         | 32        | 033841-A09  | O-Ring   | 4         |
| • 2-1     | 033851-B02A | Throttle Valve Gasket                        | 1         | 33        | 033851-B33  | Reverse Valve  | 1         |
| • 3       | 033851-B03  | Throttle Valve Plunger                       | 1         | 34        | 033851-B34  | Hammer Case Gasket   | 1         |
| • 4       | 033812-A04  | Throttle Valve                               | 1         | 35        | 033851-B35  | Hammer   | 2         |
| • 5       | 033851-B05  | Throttle Valve Spring                        | 1         | 36        | 033851-B36  | Hammer Frame   | 1         |
| • 6       | 033841-A09  | O-Ring                                       | 1         | 37        | 033851-B37  | Hammer Pin   | 2         |
| ★ 7       | 033851-B07  | Air Inlet Assembly ( incl. 2.2-1.3.4.5.6.9 ) | 1         | 38A       | 033851-B38A | Standard Anvil ( for 33851-250 )                                       | 1         |
| 9         | 033621-B04  | Screw Assembly                               | 8         | 38B       | 033851-B38B | 8" Extended Anvil ( for 33852-250 )                                    | 1         |
| 10        | 033411-A14  | Ball Spring                                  | 1         | 44        | 033851-B44  | Washer   | 1         |
| 11        | 033411-A13  | Steel Ball                                   | 1         | 45        | 033851-B45  | Bushing  | 1         |
| 12        | 033851-B12  | O-Ring                                       | 1         | 47        | 033851-B47  | Hammer Case  | 1         |
| 13        | 033851-B13  | Air Regulator                                | 1         | 48        | 033851-B48  | Shield Housing Nose  | 1         |
| 14        | 033851-B14  | Pin  | 2         | 49        | 033851-B49  | Screw  | 4         |
| 15A       | 033851-B15A | Trigger                                      | 1         | 50        | 033812-A61  | Lock Nut   | 4         |
| 16        | 033812-A12  | Pin  | 2         | 51        | 033851-B51  | Oil Seal   | 1         |
| 17        | 033812-A21A | Screw Assembly                               | 4         | 53        | 033851-B53  | Rubber Cap   | 1         |
| 18        | 033812-A44A | Washer                                       | 6         | 56        | 033851-B56  | Bushing  | 1         |
| 21        | 033851-B21  | Housing Cover Gasket                         | 1         | 57        | 033851-B57  | O-Ring   | 2         |
| • 23      | 033851-B23  | Bearing                                      | 2         | 58        | 033812-A29A | Pin  | 1         |
| ★ 24      | 033851-B24  | End Plate Assembly ( incl. 23 )              | 2         | 59        | 033812-A29  | Pin  | 1         |
| 25        | 033851-B25  | Cylinder                                     | 1         | 61        | 033812-A45  | Side Spade Handle  | 1         |
| 26        | 033851-B26  | Rotor Blade                                  | 7         | TK-01     | 033851-BTK1 | End Plate Assembly ( incl. 23.24.58 )                                  |           |
| 27        | 033851-B27  | Rotor  | 1         | TK-02     | 033851-BTK2 | End Plate Assembly ( incl. 23.24.59 )                                  |           |
| 28        | 033851-B28  | Gasket                                       | 1         | TK-03     | 033851-BTK3 | Hammer Case Assembly ( incl. 45.47.51 )                                |           |
| 29        | 033851-B29  | Housing Assembly                             | 1         | TK        | 033851-BTK  | Tune-Up Kit ( incl. 5.6.10.11.12.21.26 ( 7 ) .28.32 ( 4 ) .34.57 ( 2 ) |           |
| 30        | 033851-B30  | Bearing                                      | 1         |           |             |  |           |

★ Must be purchased in assembly set

• Recommended not to be purchased alone due to assembly difficulty

20170321R4

Air Pressure : 6.2 Bar (90 PSI)

| Inspec. Item No. | Square drive inch | Std. Bolt Size |     | Free Speed R.P.M | MAX. Torque |      | Overall Length |     | Air Inlet BSPT/NPT ID | Air Hose ID | Avg. Air Consumption |       | Net Weight |       | Sound Pressure Level A-weighted | Sound Power Level A-weighted | Sound Pressure Valve Peak C-weighted | Vib. M/S2 |
|------------------|-------------------|----------------|-----|------------------|-------------|------|----------------|-----|-----------------------|-------------|----------------------|-------|------------|-------|---------------------------------|------------------------------|--------------------------------------|-----------|
|                  |                   | inch           | mm  |                  | ft-lb       | N.m  | inch           | mm  |                       |             | cfm                  | l/min | lbs        | kgs   |                                 |                              |                                      |           |
| 33851-250        | 1                 | 1-25/32        | M45 | 3000             | 2500        | 3388 | 17-11/64       | 436 | 1/2" BSPT             | 3/4         | 14.5                 | 411   | 34.83      | 15.80 | 101.15                          | 112.14                       | 104.00                               | 6.30      |
| 33852-250        | 1                 | 1-25/32        | M45 | 3000             | 2500        | 3388 | 24-7/8         | 632 | 1/2" BSPT             | 3/4         | 14.5                 | 411   | 41.23      | 18.70 | 101.91                          | 112.91                       | 105.00                               | 6.49      |

http://www.kingtony.com

8933851250-KT

192x288mm



## KING TONY TOOLS CO., LTD.

No. 11, Alley 150, Lane 516, Sec. 2, Hsi Nan Rd.,  
Wu-Jih Dist., Taichung City, Taiwan  
Tel : 886-4-2335-3567 Fax : 886-4-2335-3642

EC DECLARATION OF CONFORMITY  
FOR NON-ANNEX IV MACHINERY  
IN ACCORDANCE WITH  
MACHINERY SAFETY DIRECTIVES

2006 / 42 / EC

## IMPACT WRENCH OPERATOR'S INSTRUCTION

This impact wrench has the CE approval

WE, KING TONY TOOLS CO., LTD. HEREBY CERTIFY THAT THE MACHINERY DESCRIBED BELOW CONFORMS WITH THE ESSENTIAL HEALTH AND SAFETY REQUIREMENTS OF MACHINERY SAFETY DIRECTIVES 2006/42/EC ON THE APPROXIMATION OF THE LAWS OF THE MEMBER STATES RELATING TO THE SAFETY OF MACHINERY,

### IMPACT WRENCH

33852-250

AND COMPLY WITH THE PROVISIONS SET OUT IN THE FOLLOWING EUROPEAN STANDARD:

ISO 12100:2010 (RISK ASSESSMENT & RISK REDUCTION)

ISO 11148-6:2012 (SAFETY REQUIREMENTS)

ISO 15744:2002 (NOISE LEVEL)

ISO 28927-2:2009 (VIBRATION LEVEL)

DATE OF ISSUE: 7<sup>th</sup> January 2014

NAME: Lin Hsien-Wen

POSITION/TITLE: General manager

SIGNATURE: *Lin Hsien-Wen*

