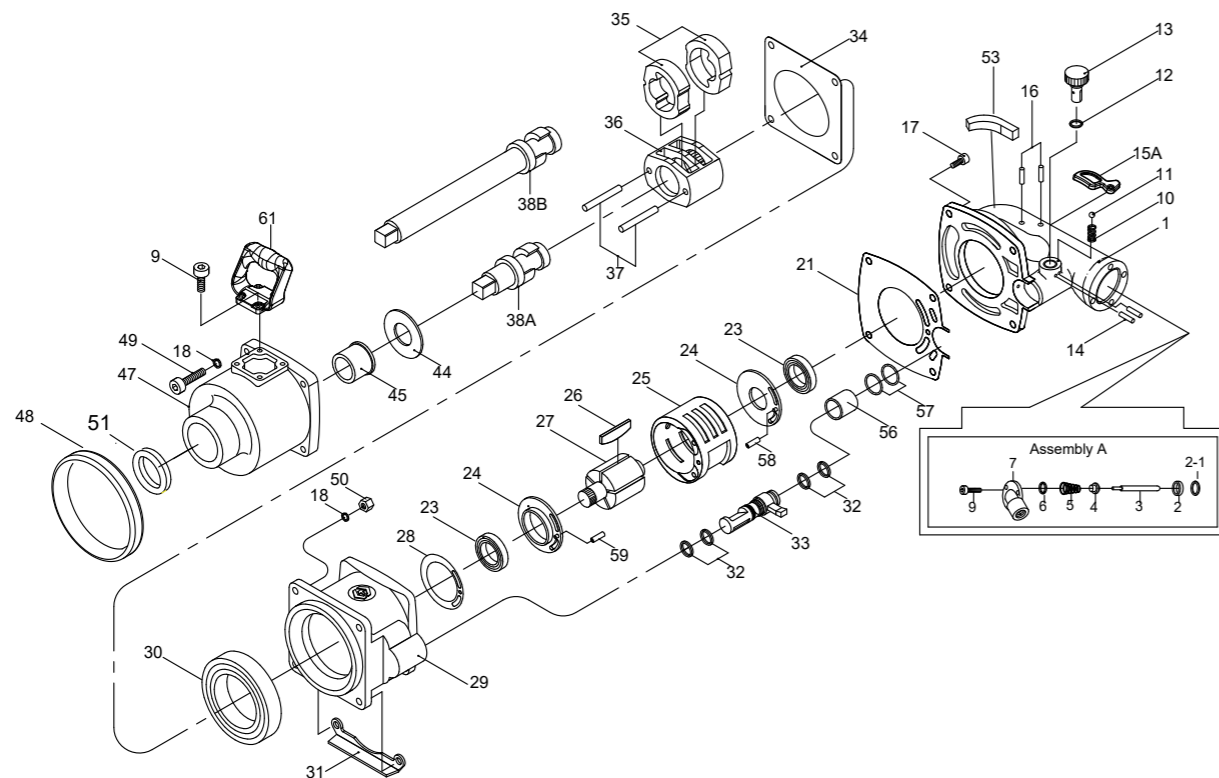


# 1" DR. IMPACT WRENCH



NO.33851-250  
33852-250



INDEX NO.	KT No.	DESCRIPTION	REQ'D NO.	INDEX NO.	KT No.	DESCRIPTION	REQ'D NO.
★ 1	033851-B01	Backhead Assembly	1	31	033851-B31	Motor Housing Protector	1
• 2	033812-A02A	Throttle Valve Seat	1	32	033841-A09	O-Ring	4
• 2-1	033851-B02A	Throttle Valve Gasket	1	33	033851-B33	Reverse Valve	1
• 3	033851-B03	Throttle Valve Plunger	1	34	033851-B34	Hammer Case Gasket	1
• 4	033812-A04	Throttle Valve	1	35	033851-B35	Hammer	2
• 5	033851-B05	Throttle Valve Spring	1	36	033851-B36	Hammer Frame	1
• 6	033841-A09	O-Ring	1	37	033851-B37	Hammer Pin	2
★ 7	033851-B07	Air Inlet Assembly ( incl. 2.2-1.3.4.5.6.9 )	1	38A	033851-B38A	Standard Anvil ( for 33851-250 )	1
9	033621-B04	Screw Assembly	8	38B	033851-B38B	8" Extended Anvil ( for 33852-250 )	1
10	033411-A14	Ball Spring	1	44	033851-B44	Washer	1
11	033411-A13	Steel Ball	1	45	033851-B45	Bushing	1
12	033851-B12	O-Ring	1	47	033851-B47	Hammer Case	1
13	033851-B13	Air Regulator	1	48	033851-B48	Shield Housing Nose	1
14	033851-B14	Pin	2	49	033851-B49	Screw	4
15A	033851-B15A	Trigger	1	50	033812-A61	Lock Nut	4
16	033812-A12	Pin	2	51	033851-B51	Oil Seal	1
17	033812-A21A	Screw Assembly	4	53	033851-B53	Rubber Cap	1
18	033812-A44A	Washer	6	56	033851-B56	Bushing	1
21	033851-B21	Housing Cover Gasket	1	57	033851-B57	O-Ring	2
• 23	033851-B23	Bearing	2	58	033812-A29A	Pin	1
★ 24	033851-B24	End Plate Assembly ( incl. 23 )	2	59	033812-A29	Pin	1
25	033851-B25	Cylinder	1	61	033812-A45	Side Spade Handle	1
26	033851-B26	Rotor Blade	7	TK-01	033851-BTK1	End Plate Assembly ( incl. 23.24.58 )	
27	033851-B27	Rotor	1	TK-02	033851-BTK2	End Plate Assembly ( incl. 23.24.59 )	
28	033851-B28	Gasket	1	TK-03	033851-BTK3	Hammer Case Assembly ( incl. 45.47.51 )	
29	033851-B29	Housing Assembly	1	TK	033851-BTK	Tune-Up Kit ( incl. 5.6.10.11.12.21.26 ( 7 ) .28.32 ( 4 ) .34.57 ( 2 )	
30	033851-B30	Bearing	1				

★ Must be purchased in assembly set

• Recommended not to be purchased alone due to assembly difficulty

20170321R4

Air Pressure : 6.2 Bar (90 PSI)

Inspec. Item No.	Square drive	Std. Bolt Size		Free Speed R.P.M	MAX. Torque		Overall Length		Air Inlet BSPT/NPT ID	Air Hose ID	Avg. Air Consumption		Net Weight		Sound Pressure Level A-weighted	Sound Power Level A-weighted	Sound Pressure Valve Peak C-weighted	Vib. M/S2
		inch	mm		ft-lb	N.m	inch	mm			cfm	l/min	lbs	kgs				
33851-250	1	1-25/32	M45	3000	2500	3388	17-11/64	436	1/2" BSPT	3/4	14.5	411	34.83	15.80	101.15	112.14	104.00	6.30
33852-250	1	1-25/32	M45	3000	2500	3388	24-7/8	632	1/2" BSPT	3/4	14.5	411	41.23	18.70	101.91	112.91	105.00	6.49

http://www.kingtony.com

8933851250-KT

192x288mm



## KING TONY TOOLS CO., LTD.

No. 11, Alley 150, Lane 516, Sec. 2, Hsi Nan Rd.,  
Wu-Jih Dist., Taichung City, Taiwan  
Tel : 886-4-2335-3567 Fax : 886-4-2335-3642

EC DECLARATION OF CONFORMITY  
FOR NON-ANNEX IV MACHINERY  
IN ACCORDANCE WITH  
MACHINERY SAFETY DIRECTIVES

2006 / 42 / EC

## IMPACT WRENCH OPERATOR'S INSTRUCTION

This impact wrench has the CE approval

WE, KING TONY TOOLS CO., LTD. HEREBY CERTIFY THAT THE MACHINERY DESCRIBED BELOW CONFORMS WITH THE ESSENTIAL HEALTH AND SAFETY REQUIREMENTS OF MACHINERY SAFETY DIRECTIVES 2006/42/EC ON THE APPROXIMATION OF THE LAWS OF THE MEMBER STATES RELATING TO THE SAFETY OF MACHINERY,

### IMPACT WRENCH

33851-250

AND COMPLY WITH THE PROVISIONS SET OUT IN THE FOLLOWING EUROPEAN STANDARD:

ISO 12100:2010 (RISK ASSESSMENT & RISK REDUCTION)

ISO 11148-6:2012 (SAFETY REQUIREMENTS)

ISO 15744:2002 (NOISE LEVEL)

ISO 28927-2:2009 (VIBRATION LEVEL)

DATE OF ISSUE: 7<sup>th</sup> January 2014

NAME: Lin Hsien-Wen

POSITION/TITLE: General manager

SIGNATURE: *Lin Hsien-Wen*

