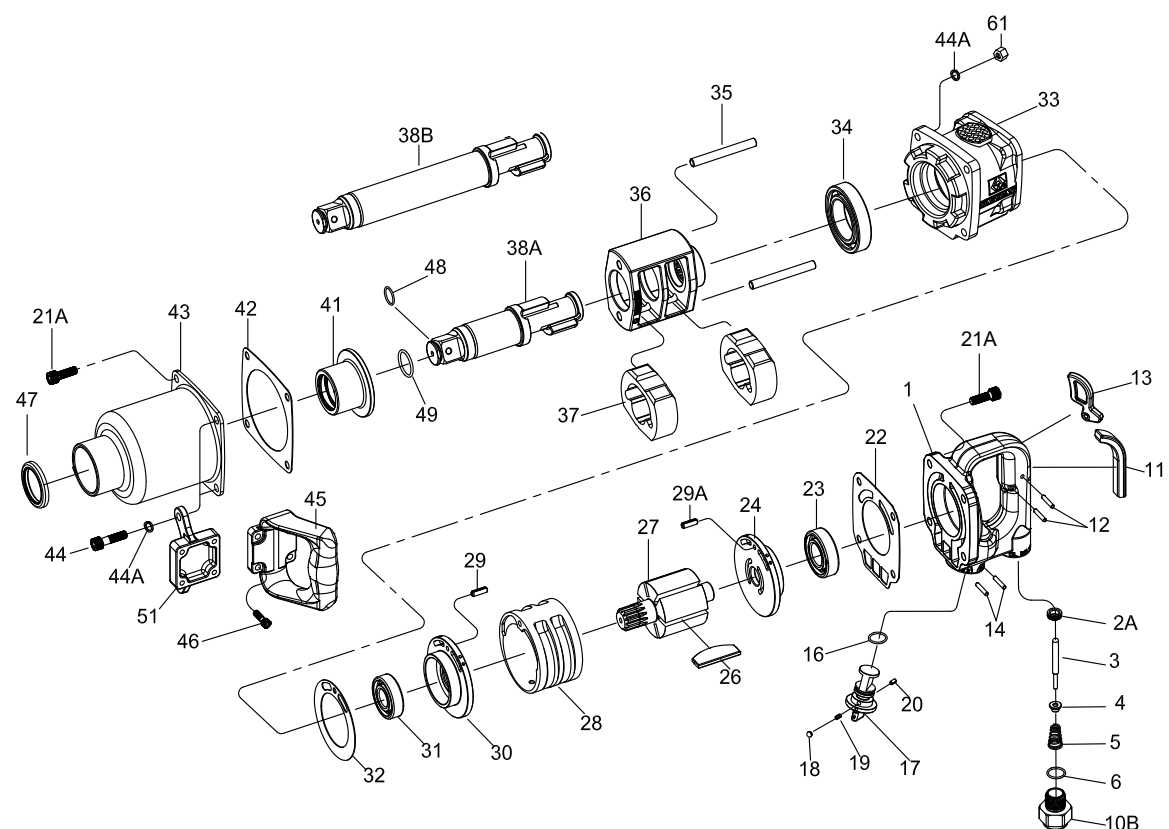


# 1" DR. IMPACT WRENCH



NO.33831-180  
33832-180



INDEX NO.	KT No.	DESCRIPTION	REQ'D NO.	INDEX NO.	KT No.	DESCRIPTION	REQ'D NO.
★ 1	033812-A01	Backhead Assembly ( incl. 2A )	1	32	033812-A32	Gasket	1
2A	033812-A02A	Throttle Valve Seat	1	★ 33	033832-C33	Housing Assembly	1
3	033812-A03	Throttle Valve Stem	1	34	033832-C34	Bearing	1
4	033812-A04	Throttle Valve	1	35	033832-C35	Hammer Pin	2
5	033812-A05	Spring	1	36	033832-C36	Hammer Frame	1
6	033812-A06	O-Ring	1	37	033832-C37	Hammer	2
10B	033812-A10B	Air Inlet	1	● 38A	033832-C38A	Standard Anvil ( for 33831-180 )	1
11	033812-A11	Rubber Cap	1	● 38B	033832-C38B	6" Extended Anvil ( for 33832-180 )	1
12	033812-A12	Pin	2	41	033832-C41	Bushing	1
13	033812-A13	Trigger	1	42	033832-C42	Gasket	1
14	033812-A14	Pin	2	43	033832-C43	Hammer Case	1
16	033812-A06	O-Ring	1	44	033812-A44	Screw	2
17	033812-A17	Reverse Valve	1	44A	033812-A44A	Washer	6
18	033812-A18	Steel Ball	1	45	033812-A45	Side Spade Handle	1
19	033411-A14	Spring	1	46	033621-B04	Screw	4
20	033812-A20	Pin	1	47	033812-A47	Oil Seal	1
21A	033812-A21A	Screw	6	48	033812-A48	O-Ring	1
22	033812-A22	Gasket	1	49	033812-A49	Socket Retainer	1
● 23	033812-A23	Bearing	1	51	033832-C51	Support Handle	1
★ 24	033812-A24	End Plate Assembly ( incl. 23 )	1	61	033812-A61	Nut	4
26	033812-A26	Rotor Blade	6	TK-01	033812-ATK1	End Plate Assembly ( incl. 23,24,29A )	
27	033812-A27	Rotor	1	TK-02	033812-ATK2	End Plate Assembly ( incl. 29,30,31 )	
28	033812-A28	Cylinder	1	TK-03	033832-CTK3	Standard Anvil Assembly ( incl. 38A,48,49 )	
29	033812-A29	Pin	1	TK-04	033832-CTK4	6" Extended Anvil Assembly ( incl. 38B,48,49 )	
29A	033812-A29A	Pin	1	TK-05	033832-CTK5	Hammer Case Assembly ( incl. 41,43,47 )	
★ 30	033812-A30	End Plate Assembly ( incl. 31 )	1	TK	033832-CTK	Tune-Up Kit ( incl. 5.6.16.18.19.22.26 ( 6 ) .32.42.48.49 )	
● 31	033812-A31	Bearing	1				

★ Must be purchased in assembly set

● Recommended not to be purchased alone due to assembly difficulty

20131206R

Air Pressure : 6.2 Bar (90 PSI)

Inspec. Item No.	Square drive	Std. Bolt Size		Free Speed R.P.M	MAX. Torque		Overall Length		Air Inlet BSPT/NPT	Air Hose ID	Avg. Air Consumption		Net Weight		Sound Pressure Level A-weighted	Sound Power Level A-weighted	Sound Pressure Valve Peak C-weighted	Vib. M/S2
		inch	mm		ft-lb	N.m	inch	mm			cfm	l/min	lbs	kgs				
33831-180	1	1-1/2	M38	4000	1800	2440	14-19/32	371	1/2" BSPT	3/4	9.0	255	25.35	11.50	102.11	113.10	103.00	8.84
33832-180	1	1-1/2	M38	4000	1800	2440	20-19/32	523	1/2" BSPT	3/4	9.0	255	27.56	12.50	103.99	114.99	105.00	6.60

http : //www.kingtony.com 8933831180-KT 192x288mm



## KING TONY TOOLS CO., LTD.

No. 11, Alley 150, Lane 516, Sec. 2, Hsi Nan Rd.,  
Wu-Jih Dist., Taichung City, Taiwan  
Tel : 886-4-2335-3567 Fax : 886-4-2335-3642

EC DECLARATION OF CONFORMITY  
FOR NON-ANNEX IV MACHINERY  
IN ACCORDANCE WITH  
MACHINERY SAFETY DIRECTIVES

2006 / 42 / EC

### IMPACT WRENCH OPERATOR'S INSTRUCTION

This impact wrench has the CE approval

WE, KING TONY TOOLS CO., LTD. HEREBY CERTIFY THAT THE MACHINERY DESCRIBED BELOW CONFORMS WITH THE ESSENTIAL HEALTH AND SAFETY REQUIREMENTS OF MACHINERY SAFETY DIRECTIVES 2006/42/EC ON THE APPROXIMATION OF THE LAWS OF THE MEMBER STATES RELATING TO THE SAFETY OF MACHINERY,

33831-180

AND COMPLY WITH THE PROVISIONS SET OUT IN THE FOLLOWING EUROPEAN STANDARD:

ISO 12100:2010 (RISK ASSESSMENT & RISK REDUCTION)

ISO 11148-6:2012 (SAFETY REQUIREMENTS)

ISO 15744:2002 (NOISE LEVEL)

ISO 28927-2:2009 (VIBRATION LEVEL)

DATE OF ISSUE: 7<sup>th</sup> January 2014

NAME: Lin Hsien-Wen

POSITION/TITLE: General manager

SIGNATURE: *Lin Hsien-Wen*

