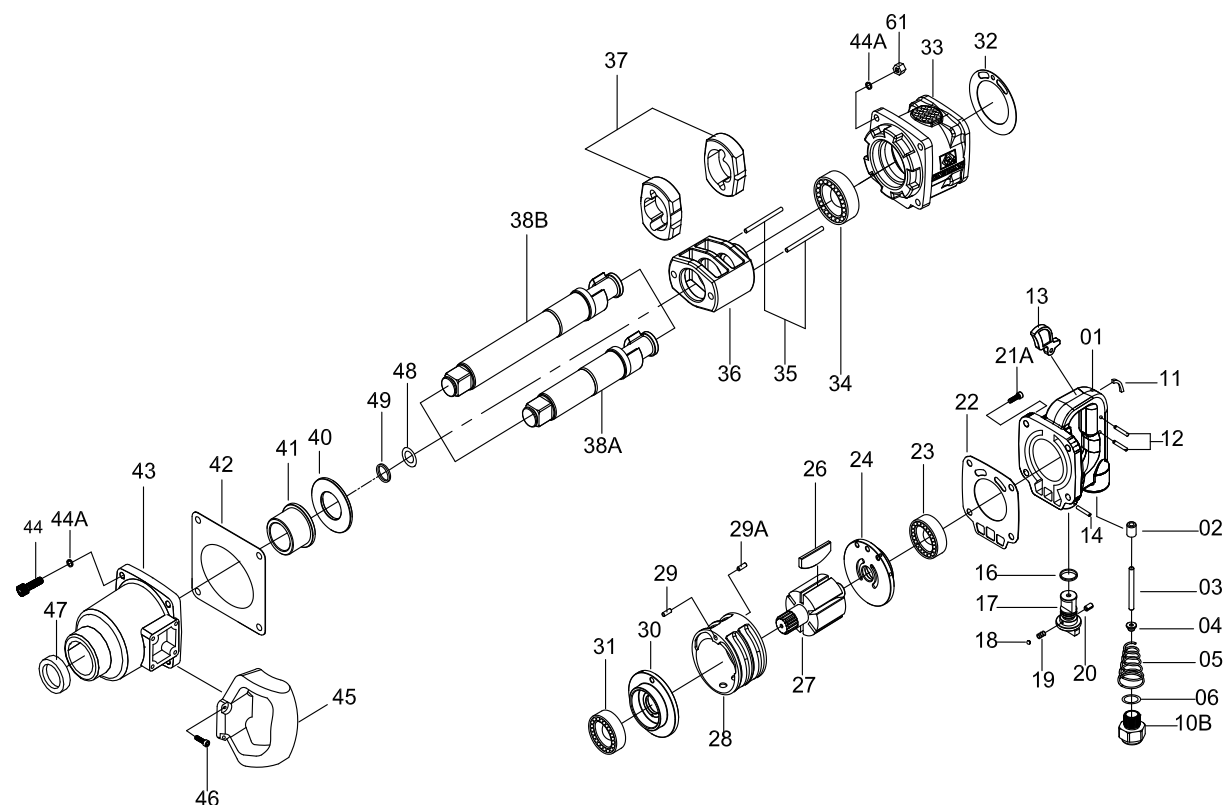


1" DR. IMPACT WRENCH



NO.33811-150
33812-150



INDEX NO.	KT No.	DESCRIPTION	REQ'D NO.	INDEX NO.	KT No.	DESCRIPTION	REQ'D NO.
★ 1	033812-A01	Backhead Assembly (incl. 2A)	1	32	033812-A32	Gasket	1
● 2A	033812-A02A	Throttle Valve Seat	1	★ 33	033812-A33	Housing Assembly	1
3	033812-A03	Throttle Valve Stem	1	34	033812-A34	Bearing	1
4	033812-A04	Throttle Valve	1	35	033812-A35	Hammer Pin	2
5	033812-A05	Spring	1	36	033812-A36	Hammer Frame	1
6	033812-A06	O-Ring	1	37	033812-A37	Hammer	2
10B	033812-A10B	Air Inlet	1	● 38A	033812-A38A	Standard Anvil (for 33811-150)	1
11	033812-A11	Rubber Cap	1	● 38B	033812-A38B	6" Extended Anvil (for 33812-150)	1
12	033812-A12	Pin	2	40	033812-A40	Washer	1
13	033812-A13	Trigger	1	41	033812-A41	Bushing	1
14	033812-A14	Pin	2	42	033812-A42	Gasket	1
16	033812-A06	O-Ring	1	43	033812-A43	Hammer Case	1
17	033812-A17	Reverse Valve	1	44	033812-A44	Screw	4
18	033812-A18	Steel Ball	1	44A	033812-A44A	Washer	8
19	033411-A14	Spring	1	45	033812-A45	Side Spade Handle	1
20	033812-A20	Pin	1	46	033621-B04	Screw	4
21A	033812-A21A	Screw	4	47	033812-A47	Oli Seal	1
22	033812-A22	Gasket	1	48	033812-A48	O-Ring	1
● 23	033812-A23	Bearing	1	49	033812-A49	Socket Retainer	1
★ 24	033812-A24	End Plate Assembly (incl. 23)	1	61	033812-A61	Nut	4
26	033812-A26	Rotor Blade	6	TK-01	033812-ATK1	End Plate Assembly (incl. 23,24,29A)	
27	033812-A27	Rotor	1	TK-02	033812-ATK2	End Plate Assembly (incl. 29,30,31)	
28	033812-A28	Cylinder	1	TK-03	033812-ATK3	Standard Anvil Assembly (incl. 38A,48,49)	
29	033812-A29	Pin	1	TK-04	033812-ATK4	6" Extended Anvil Assembly (incl. 38B,48,49)	
29A	033812-A29A	Pin	1	TK-05	033812-ATK5	Hammer Case Assembly (incl. 41,43,47)	
★ 30	033812-A30	End Plate Assembly (incl. 31)	1	TK	033812-ATK	Tune-Up Kit (incl. 5,6,16,18,19,22,26 (6) ,32,42,48,49)	
● 31	033812-A31	Bearing	1				

★ Must be purchased in assembly set

● Recommended not to be purchased alone due to assembly difficulty

20131206R8

Air Pressure : 6.2 Bar (90 PSI)

Inspec. Item No.	Square drive	Std. Bolt Size		Free Speed R.P.M	MAX. Torque		Overall Length		Air Inlet BSPT/NPT	Air Hose ID	Avg. Air Consumption		Net Weight		Sound Pressure Level A-weighted	Sound Power Level A-weighted	Sound Pressure Valve Peak C-weighted	Vib. M/S2
		inch	mm		ft-lb	N.m	inch	mm			cfm	l/min	lbs	kgs				
33811-150	1	1-1/4	M36	4000	1500	2033	14-19/32	371	1/2" BSPT	3/4	9.0	255	22.71	10.30	101.17	112.16	102.00	10.77
33812-150	1	1-1/4	M36	4000	1500	2033	20-19/32	523	1/2" BSPT	3/4	9.0	255	24.91	11.30	100.40	111.40	101.00	6.13

http : //www.kingtony.com 8933811150-KT 192x288mm



KING TONY TOOLS CO., LTD.

No. 11, Alley 150, Lane 516, Sec. 2, Hsi Nan Rd.,
Wu-Jih Dist., Taichung City, Taiwan
Tel : 886-4-2335-3567 Fax : 886-4-2335-3642

EC DECLARATION OF CONFORMITY
FOR NON-ANNEX IV MACHINERY
IN ACCORDANCE WITH
MACHINERY SAFETY DIRECTIVES

2006 / 42 / EC

IMPACT WRENCH OPERATOR'S INSTRUCTION

This impact wrench has the CE approval

WE, KING TONY TOOLS CO., LTD. HEREBY CERTIFY THAT THE MACHINERY DESCRIBED BELOW CONFORMS WITH THE ESSENTIAL HEALTH AND SAFETY REQUIREMENTS OF MACHINERY SAFETY DIRECTIVES 2006/42/EC ON THE APPROXIMATION OF THE LAWS OF THE MEMBER STATES RELATING TO THE SAFETY OF MACHINERY,

IMPACT WRENCH

33811-150

AND COMPLY WITH THE PROVISIONS SET OUT IN THE FOLLOWING EUROPEAN STANDARD:

ISO 12100:2010 (RISK ASSESSMENT & RISK REDUCTION)

ISO 11148-6:2012 (SAFETY REQUIREMENTS)

ISO 15744:2002 (NOISE LEVEL)

ISO 28927-2:2009 (VIBRATION LEVEL)



DATE OF ISSUE: 7th January 2014

NAME: Lin Hsien-Wen

POSITION/TITLE: General manager

SIGNATURE: *Lin Hsien-Wen*