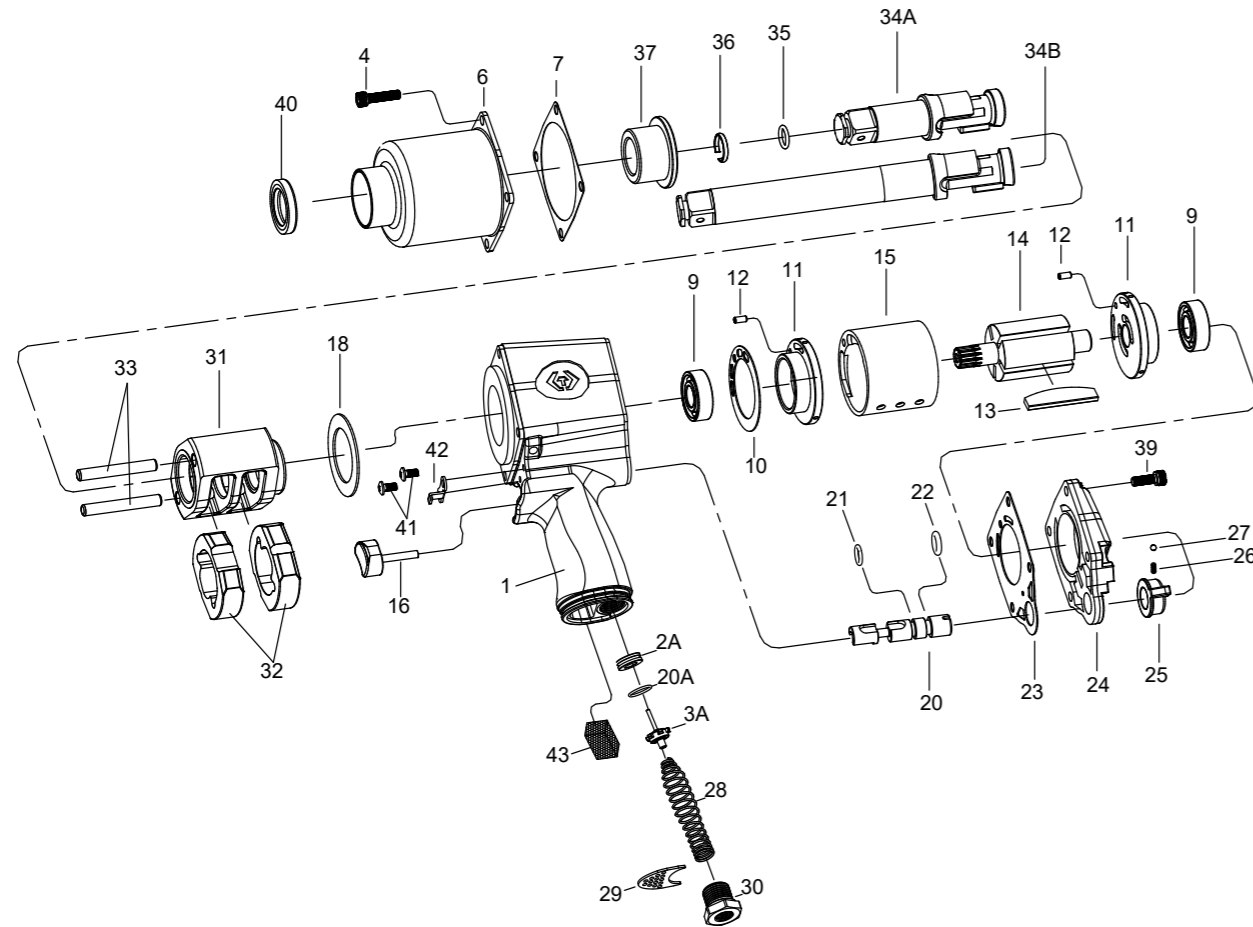


3/4" DR. IMPACT WRENCH



NO. 33621-075
33621-076
33622-075
33622-076



INDEX NO.	KT No.	DESCRIPTION	REQ'D NO.	INDEX NO.	KT No.	DESCRIPTION	REQ'D NO.
★ 1	033621-B01	Housing Assembly (incl. 2A,20A)	1	27	033621-B27	Steel Ball	1
2A	033621-B02	Throttle Valve Seat	1	28	033411-A04	Spring	1
3A	033411-A03	Throttle Valve Assembly	1	29	033411-A05	Exhaust Deflector	1
4	033621-B04	Screw	4	30	033411-A06	Air Inlet (for 19 BSPT)	1
6	033621-B06	Hammer Case	1	30A	033411-A06A	Air Inlet (for 18 NPT)	1
7	033621-B07	Gasket	1	31	033621-B31	Hammer Frame	1
9	033621-B09	Bearing	2	32	033621-B32	Hammer	2
10	033621-B10	Gasket	1	33	033621-B33	Hammer Pin	2
11	033621-B11	End Plate	2	● 34A	033621-B34	Standard Anvil (for 33621-075)	1
12	033621-B12	Pin	2	● 34B	033621-B34A	6" Extended Anvil (for 33622-075)	1
13	033621-B13	Rotor Blade	5	35	033611-A45	O-Ring	1
14	033621-B14	Rotor	1	36	033611-A44	Socket Retainer	1
15	033621-B15	Cylinder	1	37	033621-B37	Bushing	1
★ 16	033621-B16	Trigger Assembly	1	39	033621-B39	Screw	4
18	033621-B18	Washer	1	40	033621-B40	Oil Seal	1
20	033621-B20	Reverse Valve	1	41	033621-B41	Screw	2
20A	033411-A20A	O-Ring	1	42	033621-B42	Trigger Retainer	1
21	033621-B21	O-Ring	1	43	033621-B43	Muffler Element	1
22	033621-B22	O-Ring	1	TK-01	033621-BTK1	End Plate Assembly (incl. 9,11,12)	1
23	033621-B23	Gasket	1	TK-02	033621-BTK2	Standard Anvil Assembly (incl. 34A,35,36)	1
24	033621-B24	Backhead	1	TK-03	033621-BTK3	6" Extended Anvil Assembly (incl. 34B,35,36)	1
25	033621-B25	Reverse Valve Knob	1	TK-04	033621-BTK4	Hammer Case Assembly (incl. 6,37,40)	1
26	033621-B26	Spring	1	TK	033621-BTK	Tune-Up Kit (incl. 4 (4) .7,10,21,22,23,26,27)	1

★ Must be purchased in assembly set

● Recommended not to be purchased alone due to assembly difficulty

20140728R7

Air Pressure : 6.2 Bar (90 PSI)

Inspec. Item No.	Square drive	Std. Bolt Size		Free Speed	MAX. Torque		Overall Length		Air Inlet	Air Hose	Avg. Air Consumption		Net Weight		Sound Pressure Level A-weighted	Sound Power Level A-weighted	Sound Pressure Valve Peak C-weighted	Vib. M/S ²
		inch	mm		ft-lb	N.m	inch	mm			cfm	l/min	lbs	kgs				
33621-075	3/4	1	M24	6500	800	1085	8-63/64	228	1/4" BSPT	3/8	7.0	198	9.92	4.50	97.28	108.27	98.90	6.89
33621-076	3/4	1	M24	6500	800	1085	8-63/64	228	1/4" NPT	3/8	7.0	198	9.92	4.50	97.28	108.27	98.90	6.89
33622-075	3/4	1	M24	6500	800	1085	12-63/64	330	1/4" BSPT	3/8	7.0	198	11.02	5.00	96.68	107.68	97.80	6.46
33622-076	3/4	1	M24	6500	800	1085	12-63/64	330	1/4" NPT	3/8	7.0	198	11.02	5.00	96.68	107.68	97.80	6.46

http : //www.kingtony.com 8933621075-KT 192x288mm



KING TONY TOOLS CO., LTD.
No. 11, Alley 150, Lane 516, Sec. 2, Hsi Nan Rd.,
Wu-Jih Dist., Taichung City, Taiwan
Tel : 886-4-2335-3567 Fax : 886-4-2335-3642

**EC DECLARATION OF CONFORMITY
FOR NON-ANNEX IV MACHINERY
IN ACCORDANCE WITH
MACHINERY SAFETY DIRECTIVES
2006 / 42 / EC**

**IMPACT WRENCH
OPERATOR'S INSTRUCTION**

This impact wrench has the CE approval

WE, **KING TONY TOOLS CO., LTD.** HEREBY CERTIFY THAT THE MACHINERY DESCRIBED BELOW CONFORMS WITH THE ESSENTIAL HEALTH AND SAFETY REQUIREMENTS OF MACHINERY SAFETY DIRECTIVES 2006/42/EC ON THE APPROXIMATION OF THE LAWS OF THE MEMBER STATES RELATING TO THE SAFETY OF MACHINERY,

33621-075

AND COMPLY WITH THE PROVISIONS SET OUT IN THE FOLLOWING EUROPEAN STANDARD:

ISO 12100:2010 (RISK ASSESSMENT & RISK REDUCTION)

ISO 11148-6:2012 (SAFETY REQUIREMENTS)

ISO 15744:2002 (NOISE LEVEL)

ISO 28927-2:2009 (VIBRATION LEVEL)

DATE OF ISSUE: 7th January 2014

NAME: Lin Hsien-Wen

POSITION/TITLE: General manager

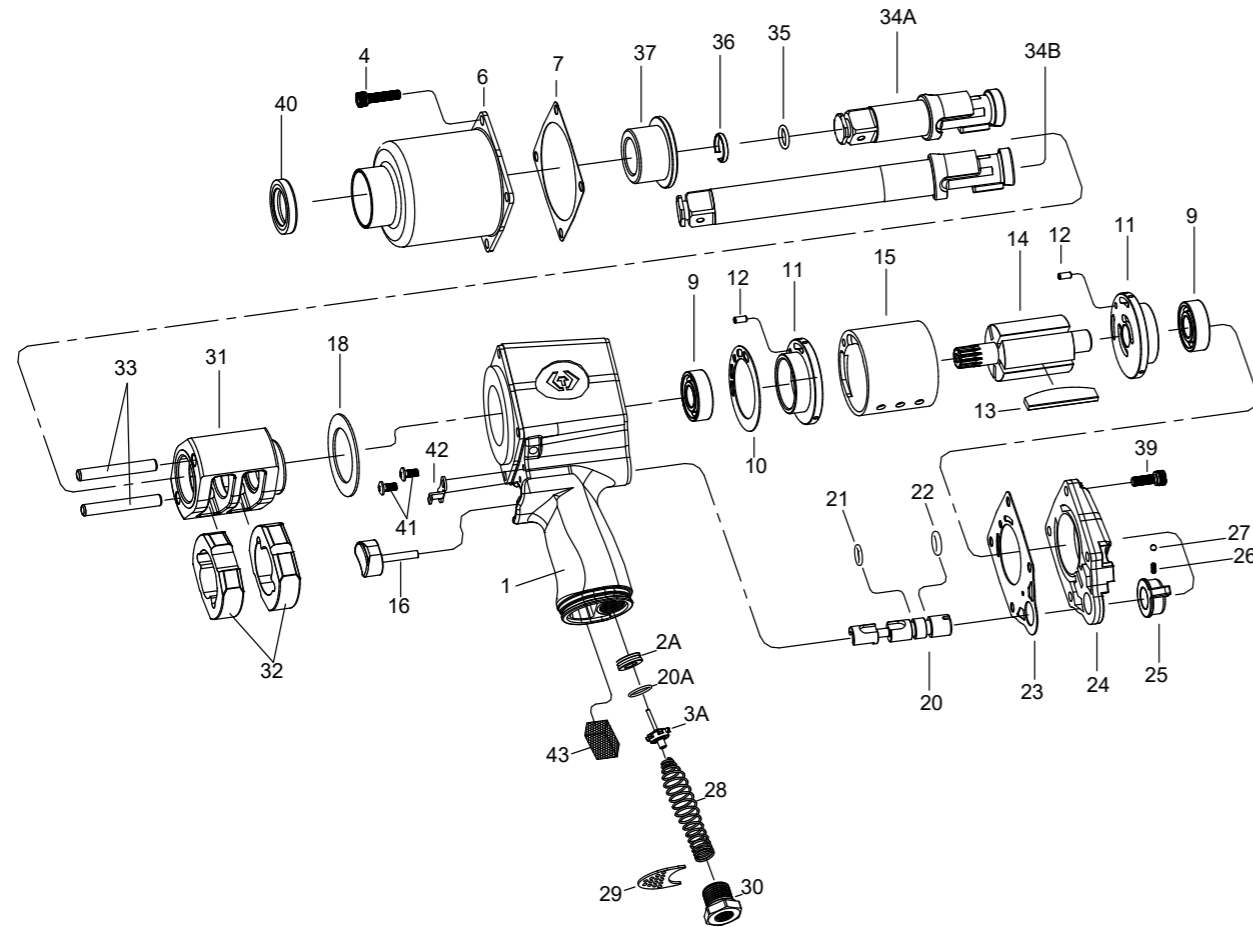
SIGNATURE: *Lin Hsien-Wen*



3/4" DR. IMPACT WRENCH



NO. 33621-075
33621-076
33622-075
33622-076



INDEX NO.	KT No.	DESCRIPTION	REQ'D NO.	INDEX NO.	KT No.	DESCRIPTION	REQ'D NO.
★ 1	033621-B01	Housing Assembly (incl. 2A,20A)	1	27	033621-B27	Steel Ball	1
2A	033621-B02	Throttle Valve Seat	1	28	033411-A04	Spring	1
3A	033411-A03	Throttle Valve Assembly	1	29	033411-A05	Exhaust Deflector	1
4	033621-B04	Screw	4	30	033411-A06	Air Inlet (for 19 BSPT)	1
6	033621-B06	Hammer Case	1	30A	033411-A06A	Air Inlet (for 18 NPT)	1
7	033621-B07	Gasket	1	31	033621-B31	Hammer Frame	1
9	033621-B09	Bearing	2	32	033621-B32	Hammer	2
10	033621-B10	Gasket	1	33	033621-B33	Hammer Pin	2
11	033621-B11	End Plate	2	● 34A	033621-B34	Standard Anvil (for 33621-075)	1
12	033621-B12	Pin	2	● 34B	033621-B34A	6" Extended Anvil (for 33622-075)	1
13	033621-B13	Rotor Blade	5	35	033611-A45	O-Ring	1
14	033621-B14	Rotor	1	36	033611-A44	Socket Retainer	1
15	033621-B15	Cylinder	1	37	033621-B37	Bushing	1
★ 16	033621-B16	Trigger Assembly	1	39	033621-B39	Screw	4
18	033621-B18	Washer	1	40	033621-B40	Oil Seal	1
20	033621-B20	Reverse Valve	1	41	033621-B41	Screw	2
20A	033411-A20A	O-Ring	1	42	033621-B42	Trigger Retainer	1
21	033621-B21	O-Ring	1	43	033621-B43	Muffler Element	1
22	033621-B22	O-Ring	1	TK-01	033621-BTK1	End Plate Assembly (incl. 9,11,12)	1
23	033621-B23	Gasket	1	TK-02	033621-BTK2	Standard Anvil Assembly (incl. 34A,35,36)	1
24	033621-B24	Backhead	1	TK-03	033621-BTK3	6" Extended Anvil Assembly (incl. 34B,35,36)	1
25	033621-B25	Reverse Valve Knob	1	TK-04	033621-BTK4	Hammer Case Assembly (incl. 6,37,40)	1
26	033621-B26	Spring	1	TK	033621-BTK	Tune-Up Kit (incl. 4 (4) .7,10,21,22,23,26,27)	1

★ Must be purchased in assembly set

● Recommended not to be purchased alone due to assembly difficulty

20140728R7

Air Pressure : 6.2 Bar (90 PSI)

Inspec. Item No.	Square drive		Std. Bolt Size		Free Speed R.P.M	MAX. Torque		Overall Length		Air Inlet BSPT/NPT ID	Air Hose ID	Avg. Air Consumption		Net Weight		Sound Pressure Level A-weighted	Sound Power Level A-weighted	Sound Pressure Valve Peak C-weighted	Vib. M/S2
	inch	mm	inch	mm		inch	mm	cfm	l/min			lbs	kgs						
33621-075	3/4	1	M24	6500	800	1085	8-63/64	228	1/4" BSPT	3/8	7.0	198	9.92	4.50	97.28	108.27	98.90	6.89	
33621-076	3/4	1	M24	6500	800	1085	8-63/64	228	1/4" NPT	3/8	7.0	198	9.92	4.50	97.28	108.27	98.90	6.89	
33622-075	3/4	1	M24	6500	800	1085	12-63/64	330	1/4" BSPT	3/8	7.0	198	11.02	5.00	96.68	107.68	97.80	6.46	
33622-076	3/4	1	M24	6500	800	1085	12-63/64	330	1/4" NPT	3/8	7.0	198	11.02	5.00	96.68	107.68	97.80	6.46	

http : //www.kingtony.com 8933621075-KT 192x288mm



KING TONY TOOLS CO., LTD.

No. 11, Alley 150, Lane 516, Sec. 2, Hsi Nan Rd.,
Wu-Jih Dist., Taichung City, Taiwan
Tel : 886-4-2335-3567 Fax : 886-4-2335-3642

EC DECLARATION OF CONFORMITY
FOR NON-ANNEX IV MACHINERY
IN ACCORDANCE WITH
MACHINERY SAFETY DIRECTIVES

2006 / 42 / EC

IMPACT WRENCH OPERATOR'S INSTRUCTION

This impact wrench has the CE approval

WE, KING TONY TOOLS CO., LTD. HEREBY CERTIFY THAT THE MACHINERY DESCRIBED BELOW CONFORMS WITH THE ESSENTIAL HEALTH AND SAFETY REQUIREMENTS OF MACHINERY SAFETY DIRECTIVES 2006/42/EC ON THE APPROXIMATION OF THE LAWS OF THE MEMBER STATES RELATING TO THE SAFETY OF MACHINERY,

33621-076

AND COMPLY WITH THE PROVISIONS SET OUT IN THE FOLLOWING EUROPEAN STANDARD:

ISO 12100:2010 (RISK ASSESSMENT & RISK REDUCTION)

ISO 11148-6:2012 (SAFETY REQUIREMENTS)

ISO 15744:2002 (NOISE LEVEL)

ISO 28927-2:2009 (VIBRATION LEVEL)

DATE OF ISSUE: 7th January 2014

NAME: Lin Hsien-Wen

POSITION/TITLE: General manager

SIGNATURE: *Lin Hsien-Wen*

