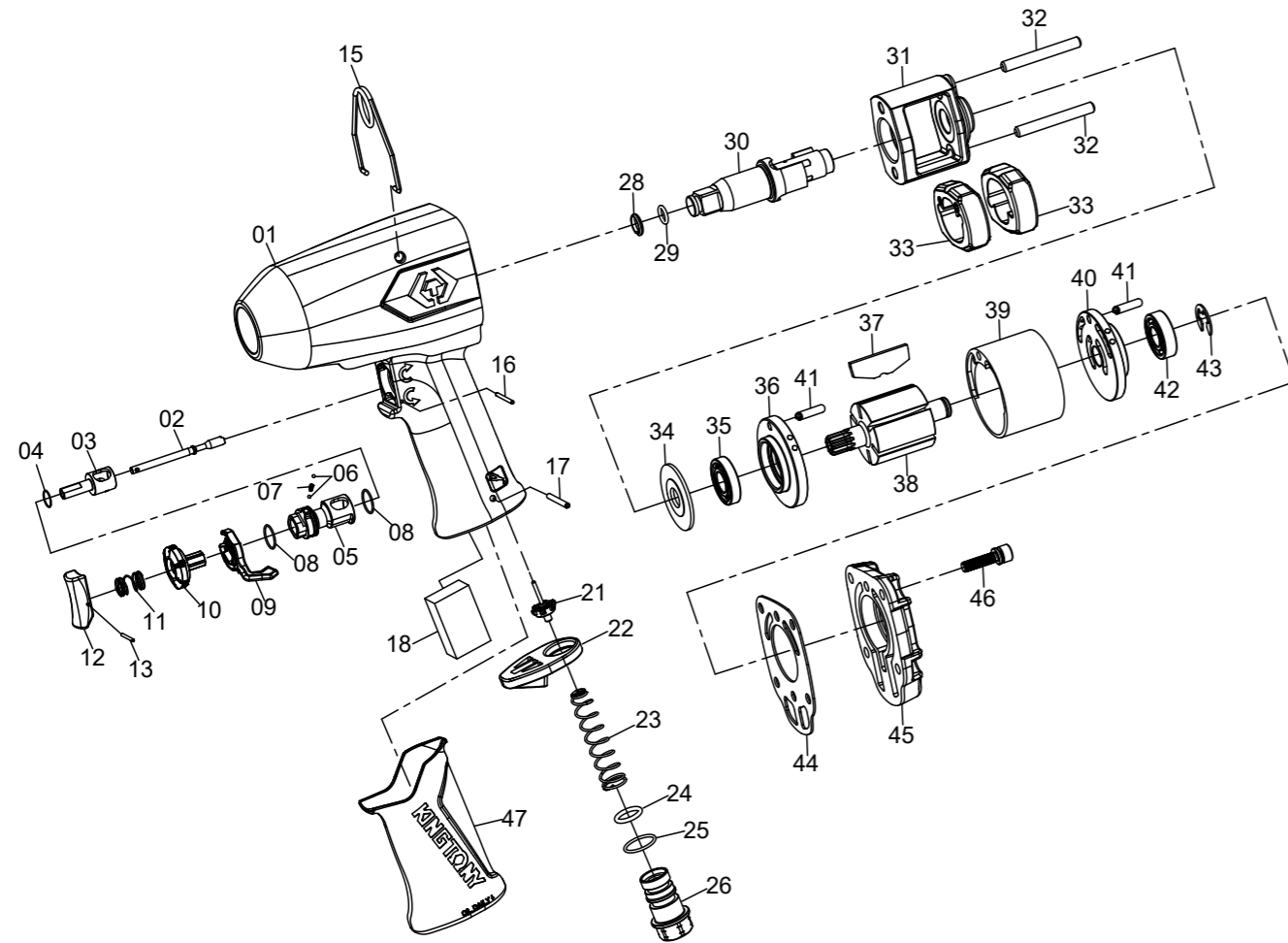


# 1/2" DR. IMPACT WRENCH



NO.33431-065  
33431-066



INDEX NO.	KT No.	DESCRIPTION	REQ'D NO.	INDEX NO.	KT No.	DESCRIPTION	REQ'D NO.
01	033431-A01	Motor Housing Assembly	1	26A	033431-A26A	Air Inlet ( for 18 NPT )	1
02	033431-A02	Valve Stem	1	28	033411-A44	Socket Retainer	1
03	033431-A03	Throttle Valve	1	29	033411-A45	O-Ring	1
04	033431-A04	O-Ring	1	30	033421-A43A	Standard Anvil	1
05	033431-A05	Reverse Valve	1	31	033421-A34	Hammer Frame	1
06	033311-A10	Steel Ball	2	32	033421-A35	Hammer Pin	2
07	033311-A11	Spring	1	33	033411-A37	Hammer	2
08	033431-A08	O-Ring	2	34	033411-A36	Washer	1
09	033431-A09	Reverse Knob	1	35	033421-A24	Bearing	1
10	033431-A10	Reverse Valve	1	36	033411-A30	End Plate	1
11	033431-A11	Spring	1	37	033411-A29	Rotor Blade	6
12	033431-A12	Trigger	1	38	033411-A22	Rotor	1
13	033431-A13	Spring Pin	1	39	033421-A26	Cylinder	1
15	033431-A15	Hanger	1	40	033411-A31	End Plate	1
16	033431-A16	Pin	1	41	033431-A41	Spring Pin	2
17	033431-A17	Spring Pin	1	42	033411-A23	Bearing	1
18	033481-A45	Muffler Element	1	43	033411-A25	Retainer	1
21	033411-A03	Throttle Valve Assembly	1	44	033431-A44	Gasket	1
22	033431-A22	Exhaust Deflector	1	45	033431-A45	Backhead Assembly	1
23	033311-A04	Spring	1	46	033621-B39	Screw	4
24	037423-A10	O-Ring	1	47	033431-A47	Rubber Grip	1
25	033841-A09	O-Ring	1	TK-01	033421-ATK3	Standard Anvil Assembly ( incl. 28.29.30 )	1
26	033431-A26	Air Inlet ( for 19 BSPT )	1	TK	033431-ATK	Tune-up Kit (incl. 4.6 ( 2 ),7.8 ( 2 ),11.18.24.25.28.29.37 ( 6 ) 44)	1

20160913R1

Air Pressure : 6.2 Bar (90 PSI)

Item No.	Square drive		Std. Bolt Size		Free Speed		MAX. Torque		Overall Length		Air Inlet		Air Hose		Avg. Air Consumption		Net Weight		Sound Pressure Level A-weighted		Sound Power Level A-weighted		Sound Pressure Valve Peak C-weighted		Vib. M/S2	
	inch	mm	inch	mm	R.P.M	ft-lb	N.m	inch	mm	BSPT/NPT	ID	cfm	l/min	lbs	kgs	dB(A)	dB(A)	dB(C)	dB(C)	mm/s <sup>2</sup>	mm/s <sup>2</sup>	mm/s <sup>2</sup>	mm/s <sup>2</sup>	mm/s <sup>2</sup>	mm/s <sup>2</sup>	
33431-065	1/2	12.7	5/8	16	8000	650	881	6-7/8	175	1/4" BSPT	3/8	4.9	139	5.69	2.58	101.50	112.50	114.00	114.00	9.37	9.37	9.37	9.37	9.37	9.37	9.37
33431-066	1/2	12.7	5/8	16	8000	650	881	6-7/8	175	1/4" NPT	3/8	4.9	139	5.69	2.58	101.50	112.50	114.00	114.00	9.37	9.37	9.37	9.37	9.37	9.37	9.37

http://www.kingtony.com 8933431065-KT 192x288mm



**KING TONY TOOLS CO., LTD.**  
No. 11, Alley 150, Lane 516, Sec. 2, Hsi Nan Rd.,  
Wu-Jih Dist., Taichung City, Taiwan  
Tel : 886-4-2335-3567 Fax : 886-4-2335-3642

**EC DECLARATION OF CONFORMITY  
FOR NON-ANNEX IV MACHINERY  
IN ACCORDANCE WITH  
MACHINERY SAFETY DIRECTIVES  
2006 / 42/ EC**

## IMPACT WRENCH OPERATOR'S INSTRUCTION

This impact wrench has the CE approval

WE, **KING TONY TOOLS CO., LTD.** HEREBY CERTIFY THAT THE MACHINERY DESCRIBED BELOW CONFORMS WITH THE ESSENTIAL HEALTH AND SAFETY REQUIREMENTS OF MACHINERY SAFETY DIRECTIVES 2006/42/EC ON THE APPROXIMATION OF THE LAWS OF THE MEMBER STATES RELATING TO THE SAFETY OF MACHINERY,

### IMPACT WRENCH

33431-065

AND COMPLY WITH THE PROVISIONS SET OUT IN THE FOLLOWING EUROPEAN STANDARD:  
ISO 12100:2010 (RISK ASSESSMENT & RISK REDUCTION)  
ISO 11148-6:2012 (SAFETY REQUIREMENTS)  
ISO 15744:2002 (NOISE LEVEL)  
ISO 28927-2:2009 (VIBRATION LEVEL)

DATE OF ISSUE: 13<sup>th</sup> September 2016

NAME: Lin Hsien-Wen

POSITION/TITLE: General manager

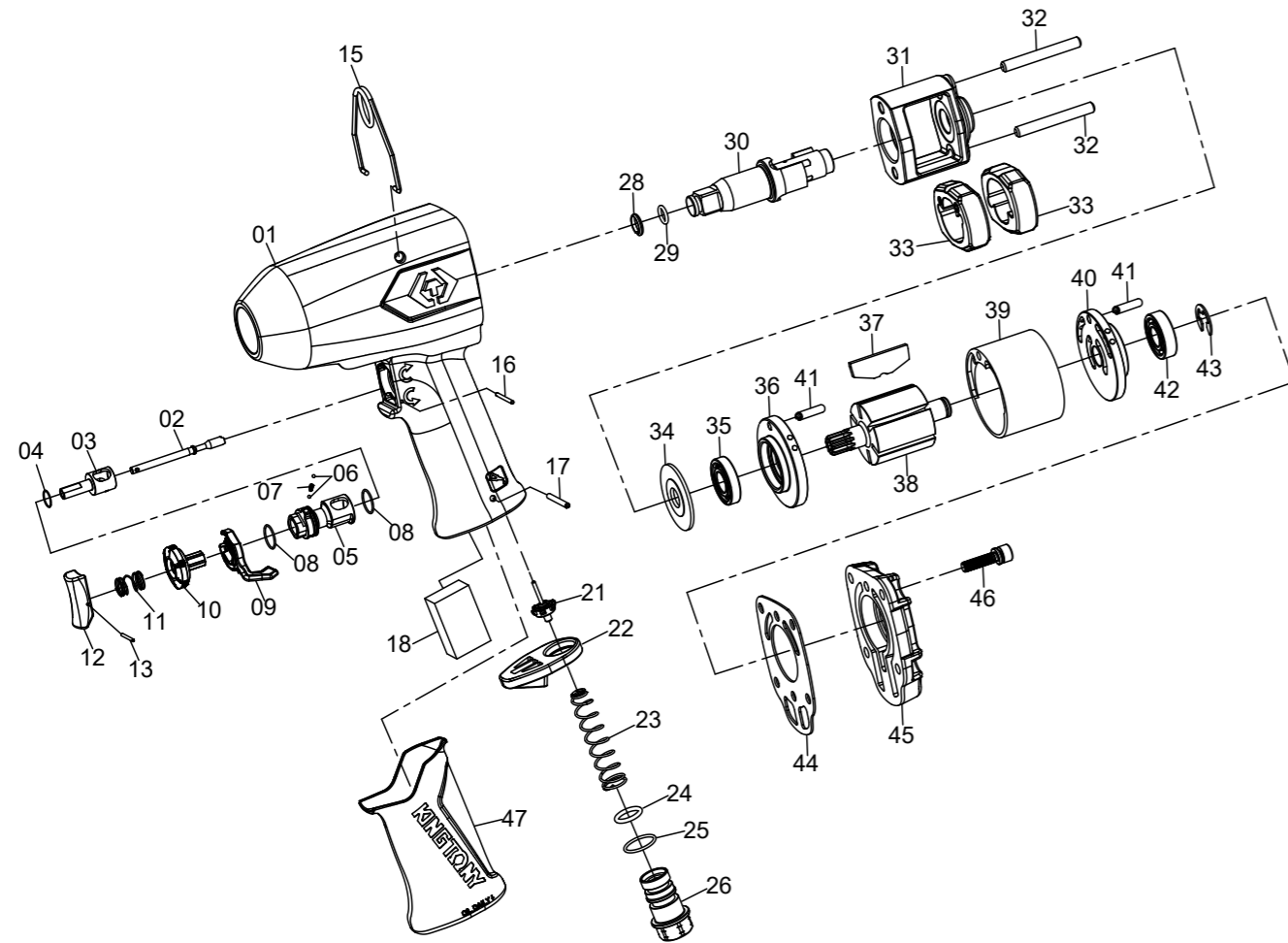
SIGNATURE: *Lin Hsien-Wen*



# 1/2" DR. IMPACT WRENCH



NO.33431-065  
33431-066



INDEX NO.	KT No.	DESCRIPTION	REQ'D NO.	INDEX NO.	KT No.	DESCRIPTION	REQ'D NO.
01	033431-A01	Motor Housing Assembly	1	26A	033431-A26A	Air Inlet ( for 18 NPT )	1
02	033431-A02	Valve Stem	1	28	033411-A44	Socket Retainer	1
03	033431-A03	Throttle Valve	1	29	033411-A45	O-Ring	1
04	033431-A04	O-Ring	1	30	033421-A43A	Standard Anvil	1
05	033431-A05	Reverse Valve	1	31	033421-A34	Hammer Frame	1
06	033311-A10	Steel Ball	2	32	033421-A35	Hammer Pin	2
07	033311-A11	Spring	1	33	033411-A37	Hammer	2
08	033431-A08	O-Ring	2	34	033411-A36	Washer	1
09	033431-A09	Reverse Knob	1	35	033421-A24	Bearing	1
10	033431-A10	Reverse Valve	1	36	033411-A30	End Plate	1
11	033431-A11	Spring	1	37	033411-A29	Rotor Blade	6
12	033431-A12	Trigger	1	38	033411-A22	Rotor	1
13	033431-A13	Spring Pin	1	39	033421-A26	Cylinder	1
15	033431-A15	Hanger	1	40	033411-A31	End Plate	1
16	033431-A16	Pin	1	41	033431-A41	Spring Pin	2
17	033431-A17	Spring Pin	1	42	033411-A23	Bearing	1
18	033481-A45	Muffler Element	1	43	033411-A25	Retainer	1
21	033411-A03	Throttle Valve Assembly	1	44	033431-A44	Gasket	1
22	033431-A22	Exhaust Deflector	1	45	033431-A45	Backhead Assembly	1
23	033311-A04	Spring	1	46	033621-B39	Screw	4
24	037423-A10	O-Ring	1	47	033431-A47	Rubber Grip	1
25	033841-A09	O-Ring	1	TK-01	033421-ATK3	Standard Anvil Assembly ( incl. 28.29.30 )	1
26	033431-A26	Air Inlet ( for 19 BSPT )	1	TK	033431-ATK	Tune-up Kit (incl. 4.6 ( 2 ),7.8 ( 2 ),11.18.24.25.28.29.37 ( 6 ) 44)	1

20160913R1

Air Pressure : 6.2 Bar (90 PSI)

Inspec. Item No.	Square drive	Std. Bolt Size	Free Speed	MAX. Torque		Overall Length		Air Inlet	Air Hose	Avg. Air Consumption		Net Weight		Sound Pressure Level A-weighted	Sound Power Level A-weighted	Sound Pressure Valve Peak C-weighted	Vib. M/S2	
	inch	inch	mm	R.P.M	ft-lb	N.m	inch	mm	BSPT/NPT	ID	cfm	l/min	lbs	kgs	dB(A)	dB(A)	m/s <sup>2</sup>	
33431-065	1/2	5/8	M16	8000	650	881	6-7/8	175	1/4" BSPT	3/8	4.9	139	5.69	2.58	101.50	112.50	114.00	9.37
33431-066	1/2	5/8	M16	8000	650	881	6-7/8	175	1/4" NPT	3/8	4.9	139	5.69	2.58	101.50	112.50	114.00	9.37

http://www.kingtony.com

8933431065-KT

192x288mm



## KING TONY TOOLS CO., LTD.

No. 11, Alley 150, Lane 516, Sec. 2, Hsi Nan Rd.,  
Wu-Jih Dist., Taichung City, Taiwan  
Tel : 886-4-2335-3567 Fax : 886-4-2335-3642

EC DECLARATION OF CONFORMITY  
FOR NON-ANNEX IV MACHINERY  
IN ACCORDANCE WITH  
MACHINERY SAFETY DIRECTIVES

2006 / 42 / EC

## IMPACT WRENCH OPERATOR'S INSTRUCTION

This impact wrench has the CE approval

WE, KING TONY TOOLS CO., LTD. HEREBY CERTIFY THAT THE MACHINERY DESCRIBED BELOW CONFORMS WITH THE ESSENTIAL HEALTH AND SAFETY REQUIREMENTS OF MACHINERY SAFETY DIRECTIVES 2006/42/EC ON THE APPROXIMATION OF THE LAWS OF THE MEMBER STATES RELATING TO THE SAFETY OF MACHINERY,

### IMPACT WRENCH

33431-066

AND COMPLY WITH THE PROVISIONS SET OUT IN THE FOLLOWING EUROPEAN STANDARD:

ISO 12100:2010 (RISK ASSESSMENT & RISK REDUCTION)

ISO 11148-6:2012 (SAFETY REQUIREMENTS)

ISO 15744:2002 (NOISE LEVEL)

ISO 28927-2:2009 (VIBRATION LEVEL)

DATE OF ISSUE: 13<sup>th</sup> September 2016

NAME: Lin Hsien-Wen

POSITION/TITLE: General manager

SIGNATURE: *Lin Hsien-Wen*

