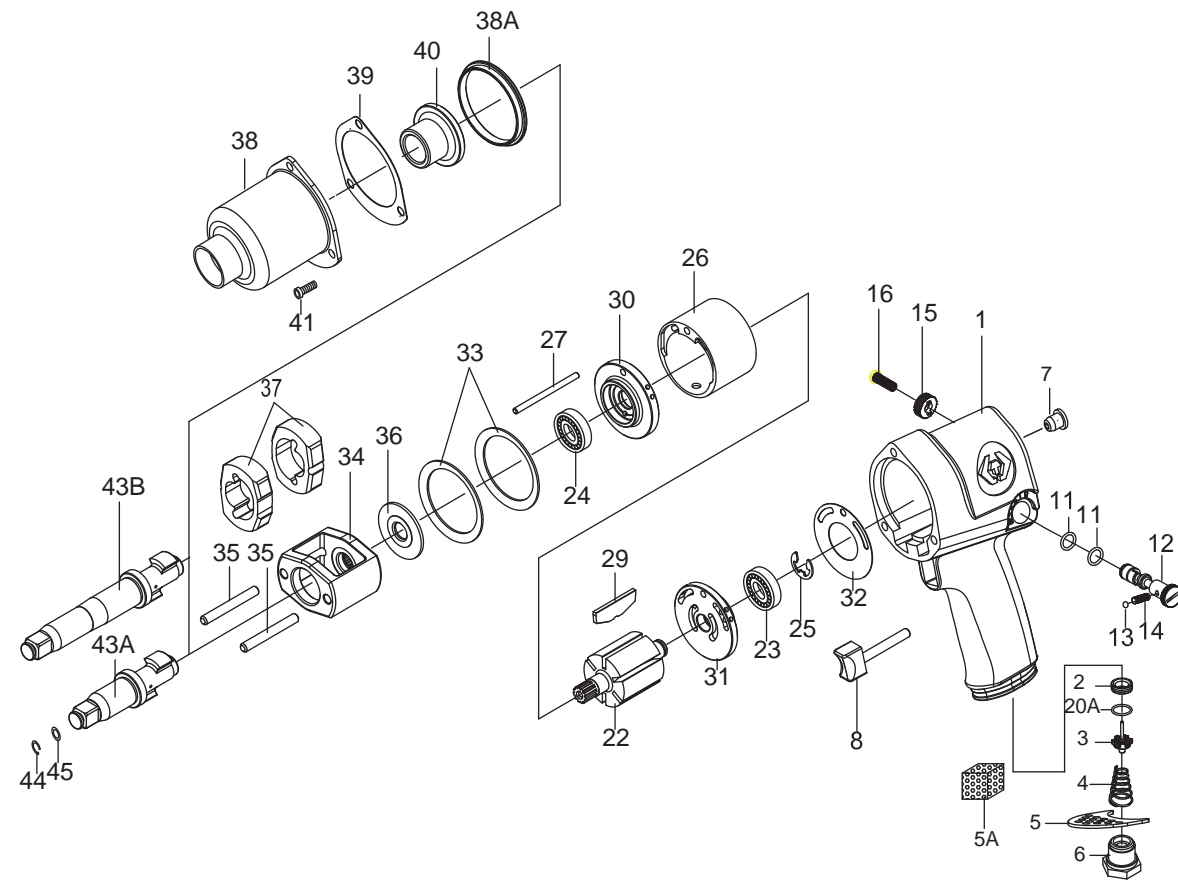


1/2" DR. AIR IMPACT WRENCH



NO.33411-040
33411-041



INDEX No.	KT No.	DESCRIPTION	REQ'D No.	INDEX No.	KT No.	DESCRIPTION	REQ'D No.
★ 1	33411-A01	Housing assembly (incl. 2.7.20a)	1	29	33411-A29	Rotor blade	6
2	33411-A02	Throttle valve seat	1	30	33411-A30	Front end plate	1
3	33411-A03	Throttle valve assembly	1	31	33411-A31	Rear end plate	1
4	33411-A04	Throttle valve spring	1	32	33411-A32	Gasket	1
5	33411-A05	Exhaust deflector	1	33	33411-A33	Motor clamp washer	2
5A	33621-B43	Muffler element	1	34	33411-A34	Hammer frame	1
6	33411-A06	Air inlet (19 BSPT)	1	35	33411-A35	Hammer pin	2
6A	33411-A06A	Air inlet (18 NPT)	1	36	33411-A36	Washer	1
7	33411-A07	Grease fitting	1	37	33411-A37	Hammer	2
★ 8	33411-A08	Trigger assembly	1	38	33411-A38	Hammer case	1
● 11	33411-A11	O-ring	2	38A	33411-A38A	Hammer case pilot	1
12	33411-A12	Reverse valve	1	39	33411-A39	Gasket	1
13	33411-A13	Steel ball	1	40	33411-A40	Bushing	1
14	33411-A14	Spring	1	41	33411-A41	Screw	3
15	33421-A15	Reverse valve knob	1	● 43A	33411-A43A	Standard anvil (for 33411-040)	1
16	33411-A16	Screw	1	● 43B	33411-A43B	2" extended anvil (for 33412-040)	1
20A	33411-A20A	O-ring	1	44	33411-A44	Socket retainer	1
22	33411-A22	Rotor	1	45	33411-A45	O-ring	1
23	33411-A23	Bearing	1	TK-03	33411-ATK3	Standard anvil assembly(incl. 43A,44,45)	
24	33411-A24	Bearing	1	TK-04	33411-ATK4	2" extended anvil assembly(incl. 43B,44,45)	
25	33411-A25	Retainer	1	TK-05	33411-ATK5	Hammer case assembly(incl. 38,40)	
26	33411-A26	Cylinder	1	TK	33411-ATK	Tune-up kit (incl. 3.4.11 (2) .25.29 (6) .32 .39,44,45)	
27	33411-A27	Cylinder dowel	1				

★ Must be purchased in assembly set
● Recommended not to be purchased alone due to assembly difficulty

20231130R8

Air pressure : 6.2 Bar (90 p.s.i)

Inspec. Item No.	Square drive		Std. bolt size		Free speed		Max. torque		Overall length		Air inlet	Air hose	Avg. air consumption		Net weight		Sound pressure level a-weighted	Sound power level a-weighted	Sound pressure valve peak c-weighted	Vib. M/S2
	inch	mm	inch	mm	R.P.M	Ft-lbs	N.m	inch	mm	BSPT/NPT	ID	cfm	L/min	lbs	kgs	dB(A)	W	dB(A)	M/S2	
33411-040	1/2"	12.7	5/8"	16	8000	500	678	7-23/64"	187	1/4" BSPT	3/8"	4.0	113	5.73	2.60	95.22	106.21	96.30	4.85	
33411-041	1/2"	12.7	5/8"	16	8000	500	678	7-23/64"	187	1/4" NPT	3/8"	4.0	113	5.73	2.60	95.22	106.21	96.30	4.85	



KING TONY TOOLS CO., LTD.
No. 11, Alley 150, Lane 516, Sec. 2, Hsi Nan Rd.,
Wu-Jih Dist., Taichung City, Taiwan
Tel : 886-4-2335-3567 Fax : 886-4-2335-3642

**EC DECLARATION OF CONFORMITY
FOR NON-ANNEX IV MACHINERY
IN ACCORDANCE WITH
MACHINERY SAFETY DIRECTIVES
2006 / 42/ EC**

**AIR IMPACT WRENCH
OPERATOR'S INSTRUCTION**
This air impact wrench has the CE approval

WE, KING TONY TOOLS CO., LTD. HEREBY CERTIFY THAT THE MACHINERY DESCRIBED BELOW CONFORMS WITH THE ESSENTIAL HEALTH AND SAFETY REQUIREMENTS OF MACHINERY SAFETY DIRECTIVES 2006/42/EC ON THE APPROXIMATION OF THE LAWS OF THE MEMBER STATES RELATING TO THE SAFETY OF MACHINERY,

AIR IMPACT WRENCH

33411-040
33411-041

AND COMPLY WITH THE PROVISIONS SET OUT IN THE FOLLOWING EUROPEAN STANDARD:
ISO 12100:2010 (RISK ASSESSMENT & RISK REDUCTION)
ISO 11148-6:2012 (SAFETY REQUIREMENTS)
ISO 15744:2002 (NOISE LEVEL)
ISO 28927-2:2009 (VIBRATION LEVEL)



DATE OF ISSUE: 7th January 2014

NAME: Lin Hsien-Wen

POSITION/TITLE: General manager

SIGNATURE: Lin Hsien-Wen