



# KING TONY

## HYDRAULIC GARAGE JACK OPERATION MANUAL

NO.9TYT133

**2.5**  
**TON**



**WARNING**



Please wear proper safety gear while working.



*Enjoy your work*

KT NO.	Capacity (T)	Min height (mm)	Max height (mm)
9TYT133-25A-B	2.5	75(3")	505(19-15/16")

## ***READ ALL INSTRUCTIONS BEFORE USE***

- Study, understand, and follow all instructions before operating this device.
- Failure to heed these markings may result in serious personal injury and / or property damage.
- Prior to each use, visual inspection shall be made to the device by checking for abnormal conditions, such as cracked welds, leaks, and damaged, loose, or missing parts.
- Do not exceed the rated capacity stated.
- Use only on hard level surfaces.
- This item is to be used as a lifting device only. Immediately support the vehicle with appropriate rated jack stands after lifting.
- Do not move the vehicle while it is on the jack.
- Lift only on areas of the vehicle as specified by the vehicle manufacturer.
- No alterations shall be made to this product.

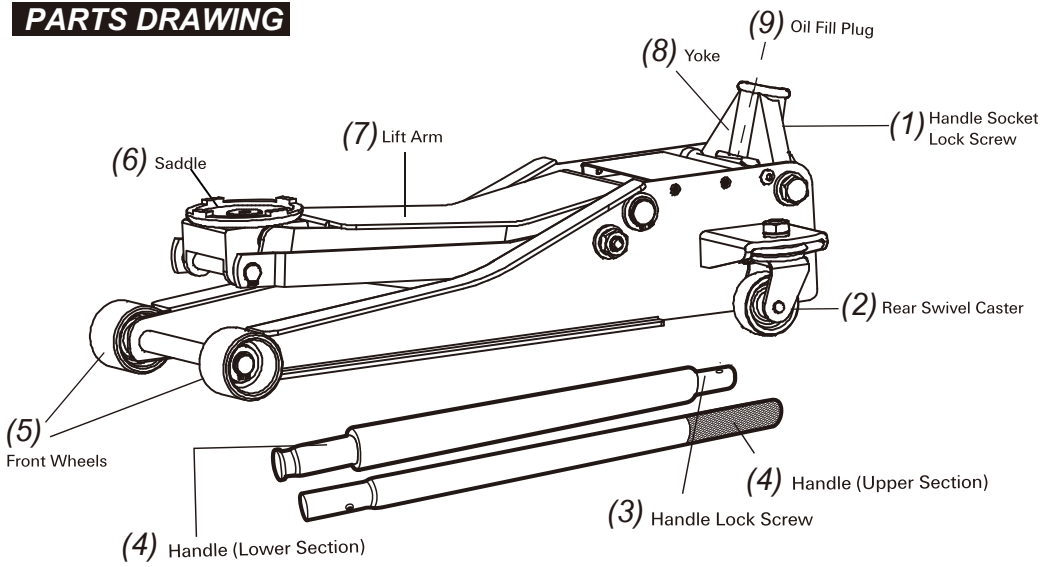


## ***ASSEMBLING THE JACK***

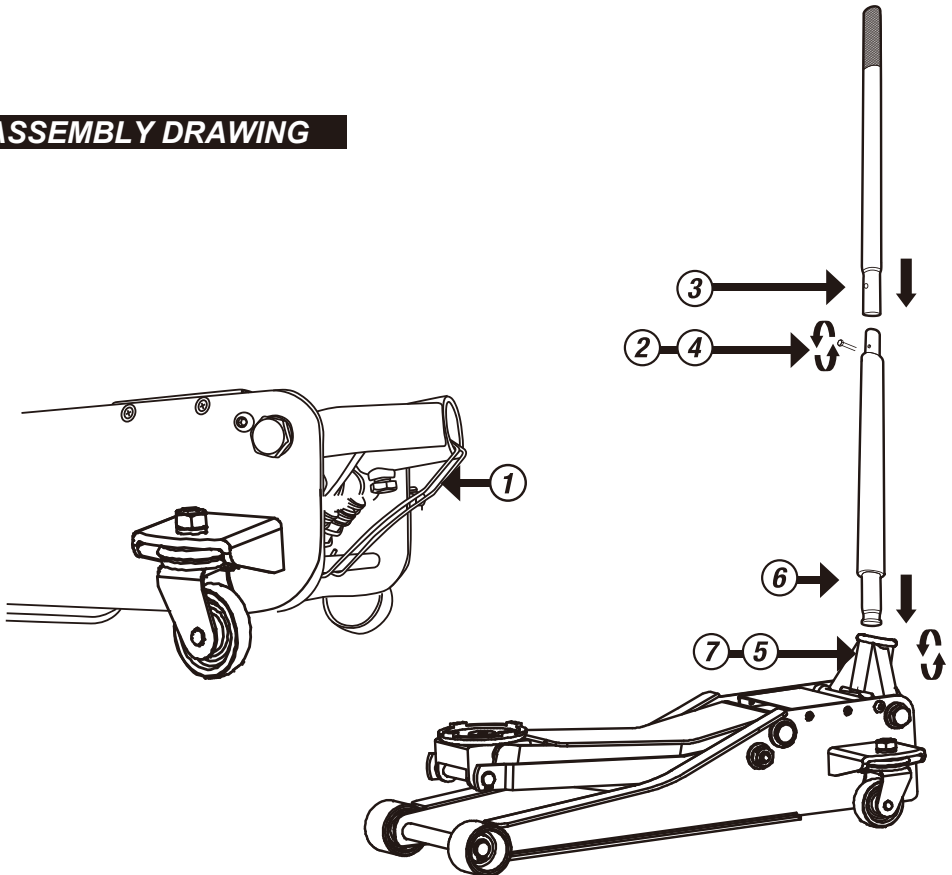
The jack is completely assembled except for the handle (4). The handle (4) has two sections, an upper section with a rubber grip and a lower section with lock screw (3).

1. Remove the hook preventing the yoke (8) from moving to an upright position.
2. Remove the lock screw (3).
3. Slide the lower section into the upper section of the handle.
4. Affix the two parts of the handle by replacing the lock screw.
5. Loosen the handle socket lock screw (1) located in the yoke (8).
6. Apply a small amount of grease to the handle socket inside the yoke (8). Place the assembled handle into the socket. Line up the square hole at the bottom of the handle over the square bolt inside the yoke (8).
7. Tighten the handle socket lock screw (1) and ensure that the handle is properly engaged in the handle sleeve.

# PARTS DRAWING



# ASSEMBLY DRAWING



## **LIFTING LOADS**

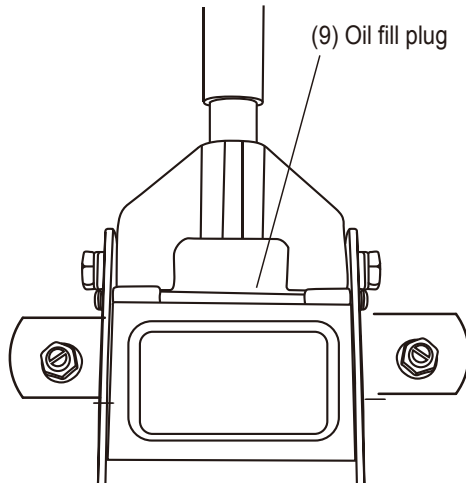
1. Make sure that the tack and the vehicle are on a hard, level surface capable of sustaining the load.
2. Follow the vehicle manufacturer's recommended guidelines for lifting the vehicle. Engage the parking brake, move the automatic gearshift lever to park position and chock each unlifted wheel in both directions to prevent inadvertent vehicle movement. If the vehicle has a manual transmission, move the gear selector into reverse or first gear.
3. Close the release valve by turning the handle (4) clockwise until firm resistance is felt. Do not overtighten.
4. Refer to the vehicle manufacturer's owner's manual to locate the approved lifting points on the vehicle. Center the jack saddle (6) under the prescribed the lifting point.
5. Verify the lifting point, then pump the handle (4) until the saddle comes into contact with the lifting point To lift, pump the handle until the load reaches the desired height.
6. Transfer the load immediately to stands.

## **LOWERING THE JACK**

1. Raise the load high enough to clear the axle stands.
2. Remove the axle stands carefully (always used in pairs).

## **ADDING OIL**

1. Position the jack on level ground.
2. Lower the saddle (6) by opening the release valve.
3. Use a flat screwdriver to unscrew and remove the oil fill plug.
4. Fill with oil until the oil level is just beneath the lower rim of the oil fill hole.
5. Screw the oil fill plug (9) back to its original position.
6. Perform the air purge procedure as described below (Releasing trapped air).



## **REPLACING OIL**

**For best performance and longest service life, replace the entire oil supply at least once per year.**

1. Prepare a suitable canister to contain the old oil.
2. Fully open the release valve by turning the handle (4) counterclockwise as far as possible.
3. Use a flat screwdriver to unscrew and remove the oil fill plug.
4. Turn the jack over so that the oil can drain from the oil fill hole into the canister.
5. Refill oil until the oil level is just beneath the lower rim of the oil fill hole.
6. Screw the oil fill plug (9) back to its original position.
7. Perform the air purge procedure as described below (Releasing trapped air).

**ALWAYS use a good grade hydraulic jack oil. Do not use hydraulic brake fluid, alcohol, glycerin, detergent, motor oil or dirty oil. Use of an unrecommended fluid can cause damage to your jack. (USE ISO VG 15 )**

## **RELEASING TRAPPED AIR**

**During shipment or after refilling the oil, air may become trapped in the hydraulic system, causing poor lifting performance. The air has to be removed before starting operations of the service jack.**

1. Remove the tool tray. Loosen the oil fill plug for about 3 full turns.
2. Using the handle (4), turn the release valve counterclockwise one full turn to open.
3. Pump the handle (4) rapidly for six to seven full strokes.
4. Tighten the oil fill plug. Turn the handle (4) clockwise to close the release valve.
5. Pump the handle (4) until the jack saddle (6) reaches its maximum height.
6. Turn the handle (4) counterclockwise one full turn and lower the saddle (6) to the lowest position. Use force if necessary.
7. Turn the handle (4) clockwise to the closed position and check for proper pump action. It may be necessary to perform the above procedure more than once to ensure that the air is completely evacuated.

## **LUBRICATION**

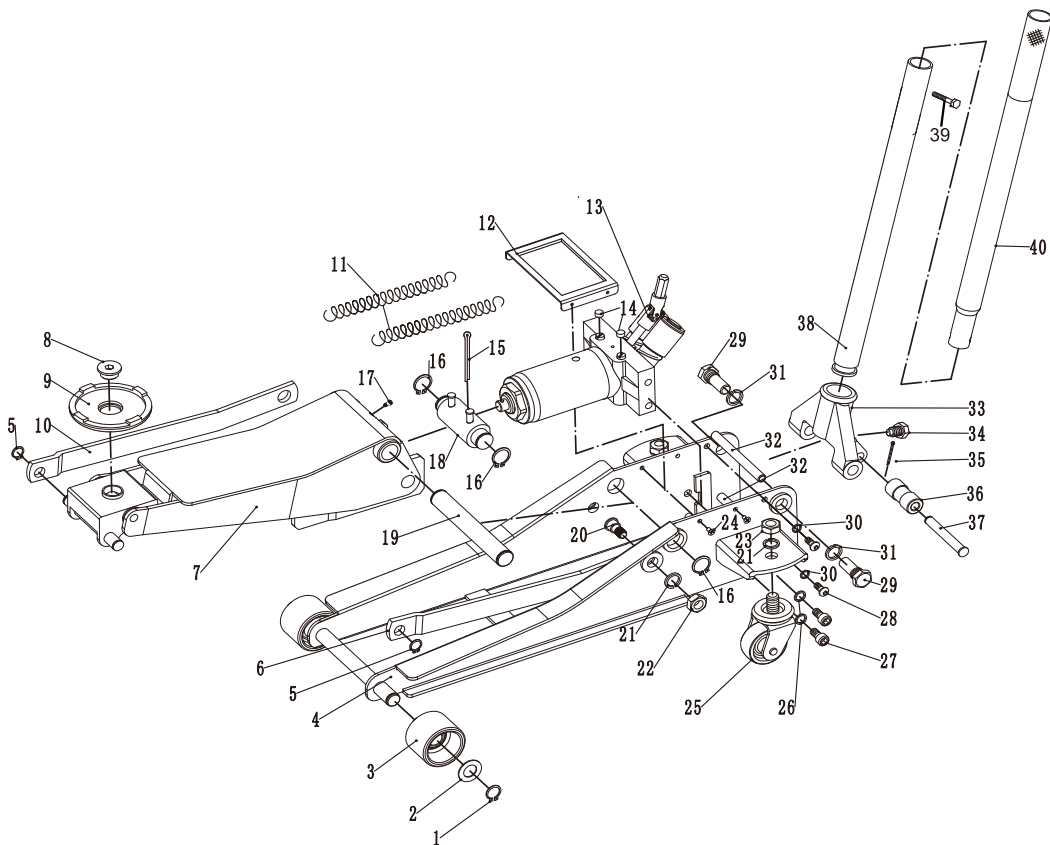
1. Add lubricating oil to all moving parts when needed.
2. For light-duty use, we recommend lubricating every 6 months.
3. For heavy and constant use, we recommend lubricating every month.

## **RUST PREVENTION**

1. Check your service jack regularly for signs of rust or corrosion.
2. If signs of rust are visible, clean as needed and wipe down with an oily cloth.

## **TROUBLESHOOTING**

<b>Problems</b>	<b>Causes</b>	<b>Solutions</b>
Jack will not lift the load.	1. Release valve not tightly closed.	1. Tighten release valve.
	2. Low oil level.	2. Check and add oil. Follow "Check and Refill Oil".
	3. Defective or worn internal parts.	3. Discontinue use and contact a local repair center.
	4. Load exceeds maximum allowance.	4. Use a higher capacity jack.
Jack will not hold the load.	1. Release valve not tightly closed.	1. Tighten release valve.
	2. Power unit malfunction.	2. Discontinue use and contact a local repair center.
Jack will not descend to minimum height, or will not remain in lowered position.	1. Air trapped in system.	1. Vent air out of system. Follow "Air Venting Procedures" above.
	2. Reservoir oil overfilled.	2. Check and ensure proper oil level. Follow "Check and Refill Oil".
Jack will not lift to max height.	1. Low oil level.	1. Check and ensure proper oil level. Follow "Check and Refill Oil" instructions above.
Jack will not function properly after tried solution.	1. Internal malfunction or structural damage.	1. Stop usage and contact an authorized repair center.



## PARTS LIST

Part	Description	Qty	Part	Description	Qty	Part	Description	Qty
1	Ø 20 Closing ring	2	15	Ø 4x45 Split pin	1	29	Bolt of handle socket	2
2	Ø 20 Flat washer	2	16	Ø 25 Closing ring	2	30	Ø 8 Spring washer	4
3	Front wheel	2	17	Oil fill cap	1	31	Ø 18 Spring washer	2
4	Side frame	1	18	Connect rod	1	32	Reinforce rod	2
5	Ø 16 Closing ring	2	19	Lift arm shaft	1	33	Handle socket	1
6	Long linkage	1	20	Bolt connecting linkage	2	34	M12 Screw	1
7	Lift arm assembly	1	21	Ø 16 Spring washer	2	35	Ø 2.5x16 Split pin	1
8	Retaining bolt of saddle	1	22	M16 thin nut	2	36	Roller	1
9	Saddle pad	1	23	M16 nut	2	37	Roller axle pin	1
10	Long linkage	1	24	Screws M5	4	38	Upper handle	1
11	Tension spring	2	25	Rear caster assembly	2	39	M16x35 Bolt	1
12	Tool tray	1	26	Ø 10 Spring washer	4	40	Lower handle	1
13	Power unit assembly	1	27	M10x20 Bolt	4			
14	Safety valve cap	2	28	M8x15 Button head bolt	4			



**KING TONY**

*Enjoy your work*

[www.kingtony.com](http://www.kingtony.com)

 [service@kingtony.com](mailto:service@kingtony.com)