

ENGINE SUPPORT

0.5 TON

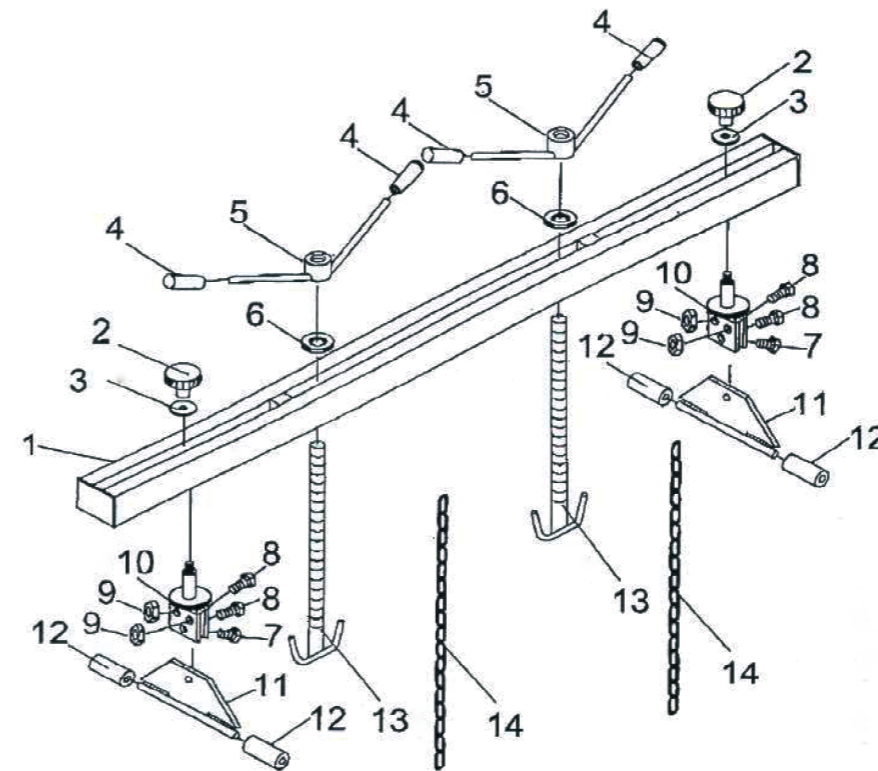
NO.9TY611-05A-B



Please wear proper safety gear while working.



- Use to hold the engine or transmission in place from the car or truck.
- Rubber padded support legs prevents prevent damage to vehicles.
- Do not exceed the maximum capacity 0.5T in order to avoid the property damage.
- Crossbeam length : 1500mm.



Part	Description	Qty	Part	Description	Qty
1	Beam	1	8	Bolt M10x25	4
2	Lock nut	2	9	Nut M10	4
3	Washer	2	10	Standing block and bolt	2
4	Handle sleeve	4	11	Standing block	2
5	Grip handle	2	12	Rubber block	4
6	Washer	2	13	Adjustable screw	2
7	Bolt M12x25	2	14	Chain	2