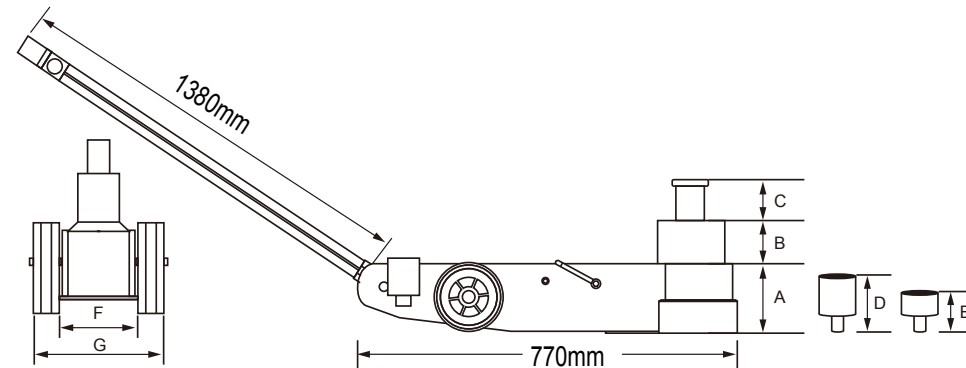


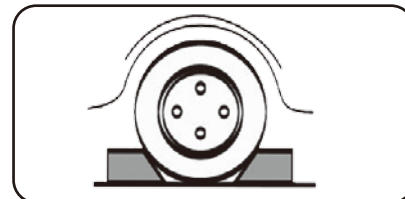
# PNEUMATIC JACK OPERATION MANUAL

NO.9TY231

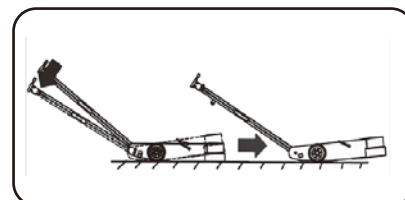
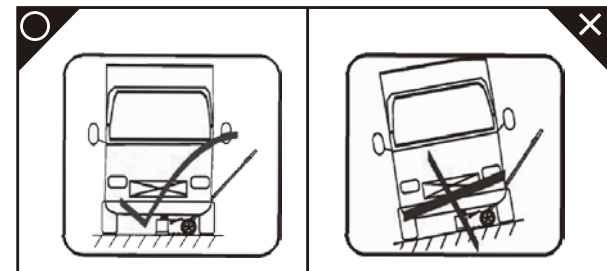


KT NO.	Capacity	Air pressure	A (mm)	Lifting height(B)	Lifting height(C)	D (mm)	E (mm)	F (mm)	G (mm)
9TY231-25	25T/10T	0.6~1.2Mpa	185	25T:91mm	10T:96mm	75	45	161	275
9TY231-50	50T/25T	0.6~1.2Mpa	235	50T:117mm	25T:105mm	75	45	200	275

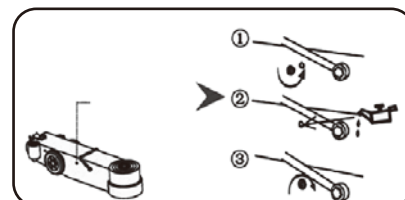
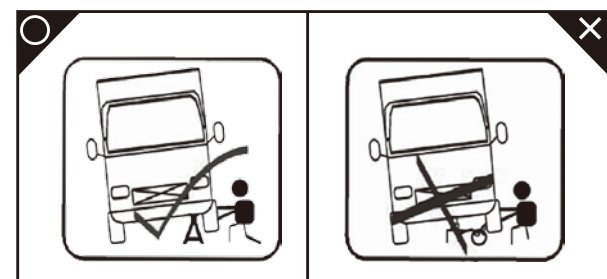
**WARNING :**



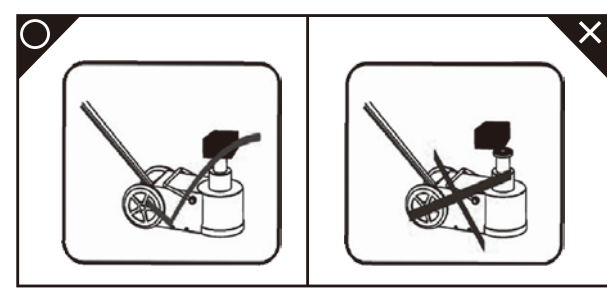
Always set the vehicle parking brake and block the wheels.



When moving the jack, please press down the handle to move by the wheels



Position of lubricate hole



**WARNING**

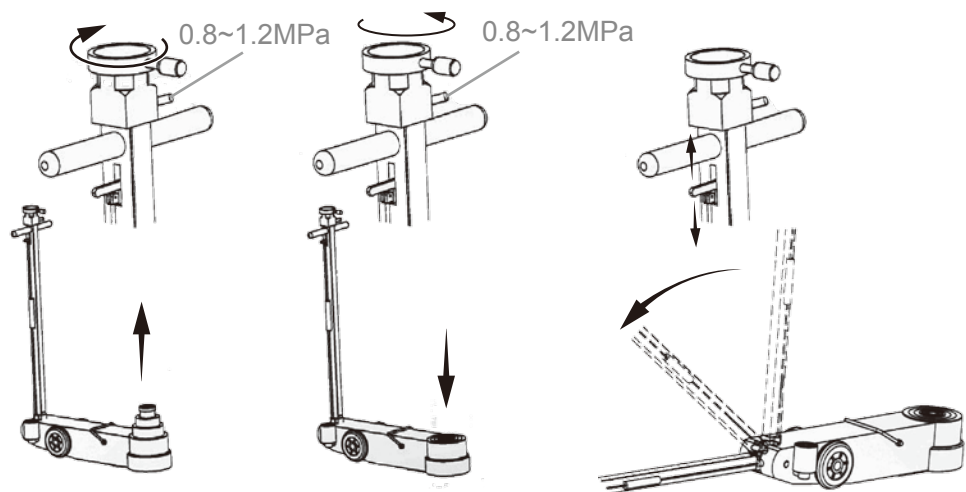


Please wear proper safety gear while working.

[www.kingtony.com](http://www.kingtony.com)

Enjoy your work

## RAISING & LOWERING



## ASSEMBLY OPERATION

