

Please wear proper safety gear while working.





**KING TONY**

# ENGINE STAND OPERATION MANUAL

**1500  
LBS**



**NO.9TY135-150A-B**

## **SAFETY INSTRUCTIONS**

- This engine stand is a device used to mount an automotive type of engine when removed from a vehicle and provide access to the engine for servicing and/or rebuilding.
- Study, understand, and follow operation manual and safety precautions before using this device.
- Always use stands in pairs on a hard level surface capable of sustaining the load.
- Do not overload the jack beyond it's rate capacity.
- Failure to heed these warning may result in damage to jack and /or resulting in personal injury or property damage.
- Lock mounting plate-rotating mechanism before applying the load.
- Be sure engine is centered and secured to mounting plate before applying load to stand.
- Off center loads may make the load and handle rotate in either direction when the rotational locking is released. Release the rotational locking device slowly and carefully.
- Do not attempt to move the loaded stand across a floor having cracks or other obstacles that could impede movement, never work directly under a supported load.
- Visually inspect stand for damage before use. Check for cracked welds, bent metal and loose, damaged or missing parts.
- Use only attachment and adapters supplied and approved by the manufacturer. Do not make any alterations to this product.

## **OPERATION**

Before applying load:

1. With the mounting arms loose from the mounting plate (but not removed) bolt the mounting arms to the rear of the engine using the bell housing mounting bolts (bolts not supplied).
2. Make sure the engine is centered and straight on the mounting plate, then tighten the mounting arms to the engine, and the mounting arms to the mounting plate.
3. After making sure all connections are tight, slowly lower the hoist, transferring the load to the stand and remove an engine from the stand.

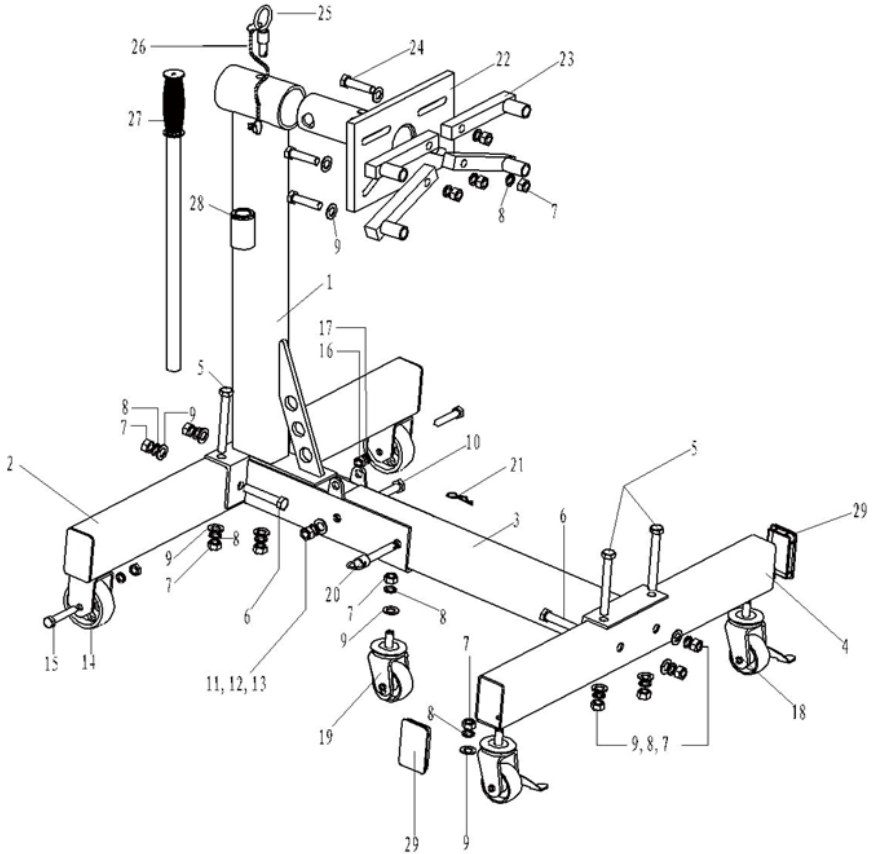
## **TO REMOVE AN ENGINE FROM THE STAND**

1. Attach the hoist to the engine using a sling or similar device
2. After the hoist and sling are secure to the engine, raise the hoist, take the load off of the stand.
3. The mounting bolts can be removed from the engine to free the stand.

## **INSPECTION**

- A complete visual inspection must be made before each use of the stand.
- Check for broken or cracked wells, excessive rust, loose, damaged or missing parts.
- Check that the wheels and casters operate smoothly.
- Check that the mounting plate rotation lock works properly before applying the load. If any problems as described above or otherwise are found, remove the stand from service.
- Check for the label, making sure that it is legible, and securely attached to the stand.
- If the stand has been subjected to an abnormal load or shock load, you must inspect the stand immediately before putting the stand into or resuming service.

# ENGINE STAND



Part	Description	Qty	Part	Description	Qty	Part	Description	Qty
1	Mast assembly	1	11	Nut M10	1	21	Spring clip	1
2	Rear leg	1	12	Spring washer 10	1	22	Mounting head	1
3	Cross member	1	13	Washer 10	1	23	Mounting adaptor	4
4	Front leg	1	14	Wheel	2	24	Bolt M12x55	4
5	Bolt M12x100	4	15	Bolt M8x65	2	25	Head locking pin	1
6	Bolt M12x70	4	16	Wheel	2	26	Chain	1
7	Nut M12	15	17	Spring washer 8	2	27	Hander	1
8	Spring washer 12	15	18	Locking caster	2	28	Grommet	1
9	Washer 12	15	19	Caster	1	29	Cap	4
10	Bolt M10x75	1	20	Pin	1			