



# KING TONY

## **HYDRAULIC GARAGE JACK OPERATION MANUAL**

NO.9TY132A

# 3.5 TON



**WARNING**



Please wear proper safety gear while working.

*Enjoy your work*

| KT NO.        | Capacity (T) | Min height (mm) | Max height (mm) |
|---------------|--------------|-----------------|-----------------|
| 9TY132A-35A-B | 3.5          | 145             | 500             |

## **READ ALL INSTRUCTIONS BEFORE USE**

- Study, understand, and follow all instructions before operating this device.
- Failure to heed these markings may result in serious personal injury and / or property damage.
- Prior to each use, visual inspection shall be made to the device by checking for abnormal conditions, such as cracked welds, leaks, and damaged, loose, or missing parts.
- Do not exceed the rated capacity stated.
- Use only on hard level surfaces.
- This item is to be used as a lifting device only. Immediately support the vehicle with appropriate rated jack stands after lifting.
- Do not move the vehicle while it is on the jack.
- Lift only on areas of the vehicle as specified by the vehicle manufacturer.
- No alterations shall be made to this product.



## **LIFTING**

- Turn the handle/release valve clockwise to the closed position. Do not over tighten.
- Position the jack under the specified lift point.
- Begin lifting by pumping the handle up and down.
- Immediately support the vehicle with appropriately rated jack stands after lifting.
- Turn the handle/release valve slowly counterclockwise to lower the vehicle onto jack stands.

## **LOWERING**

- Turn the handle/release valve clockwise to the closed position. Do not over tighten.
- Pump the handle up and down to lift vehicle off jack stands.
- Remove the jack stands. Do not get under or let anyone get under the vehicle while lowering.
- Turn the handle/release valve slowly counterclockwise to lower the vehicle onto the ground.

## **MAINTENANCE**

### **CHECK AND REFILL OIL :**

- With the jack in the fully lowered level position, if unit cover is provided, remove unit cover, then remove oil filler plug.
- Proper oil level should be just cover inner cylinder as seen from the oil filler plug hole.
- Do not overfill. Always fill with new, clean hydraulic jack oil as recommended above.
- Reinstall oil filler plug, then reinstall unit cover.

**NOTICE :** Use high grade hydraulic oil only. Never use brake fluid, motor oil, transmission fluid, turbine oil or any other fluids.

## **LUBRICATION AND CLEANING**

- Periodically clean and lubricate all moving parts and pivot points.

## **AIR VENTING PROCEDURES**

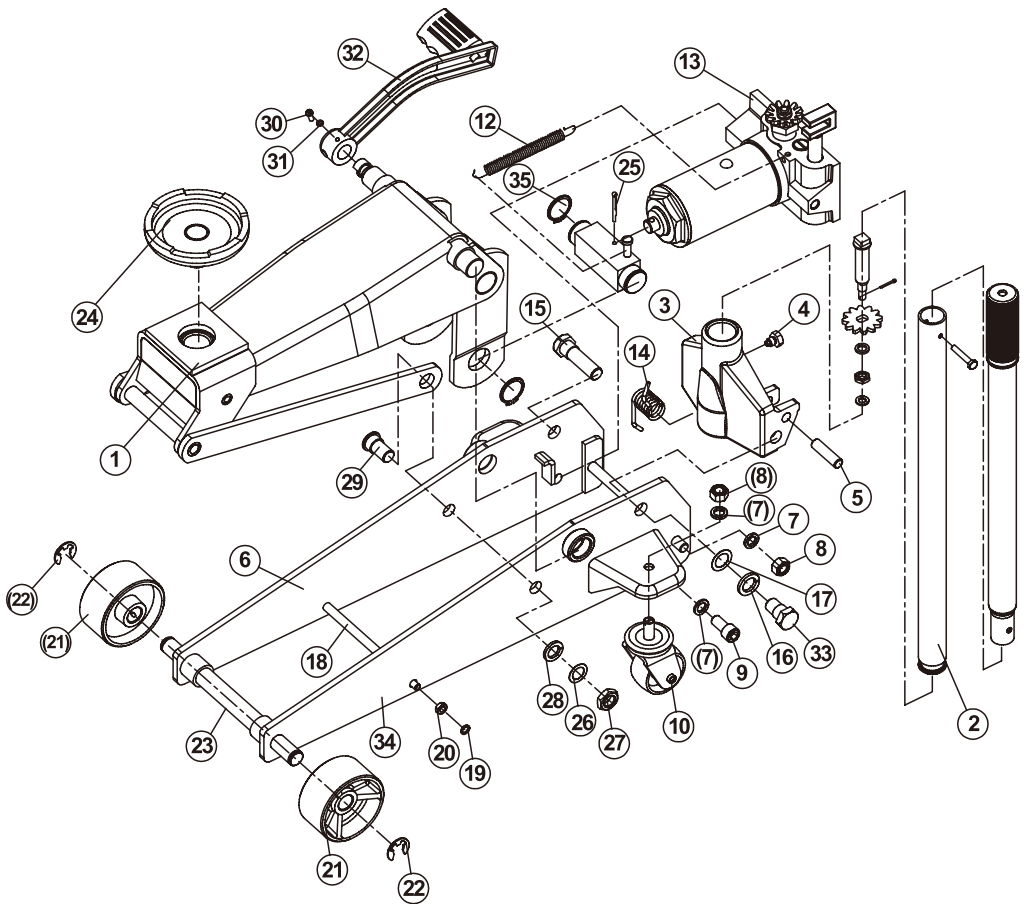
- With the jack in the fully lowered position, unlock release valve, remove oil filler plug.
- Pump the handle rapidly several mins. Reinstall oil filler plug.
- Turn the handle/release valve clockwise to the closed position.
- Pump the handle until the arm reaches maximum height and continue to pump several mins. to remove trapped air in the system.
- Turn the handle/release valve counterclockwise in one full turn and lower arm to the lowest position. Use force on saddle if necessary.
- Carefully and slowly loosen oil filler plug to release pressurized air.
- Repeat above steps until trapped air is completely vented.

## **INSPECTION**

- Visual inspection shall be made before each use of the device by checking for abnormal conditions, such as cracked welds, leaks, and damaged, loose, or missing parts.
- This device shall be inspected immediately if the device is believed to have been subjected to an abnormal load or shock.

## **TROUBLESHOOTING**

| <b>Problems</b>  | <b>Causes</b>  | <b>Solutions</b>   |
|--|--|--|
| Jack will not lift the load.   | <ol style="list-style-type: none"><li>1. Release valve not tightly closed.</li><li>2. Low oil level.</li><li>3. Defective or worn internal parts.</li><li>4. Load exceeds maximum allowance.</li></ol> | <ol style="list-style-type: none"><li>1. Tighten release valve.</li><li>2. Check and add oil.</li><li>3. Discontinue use and contact a local repair center.</li><li>4. Use a higher capacity jack.</li></ol> |
| Jack will not hold the load.   | <ol style="list-style-type: none"><li>1. Release valve not tightly closed.</li><li>2. Power unit malfunction.</li></ol>  | <ol style="list-style-type: none"><li>1. Tighten release valve.</li><li>2. Discontinue use and contact a local repair center.</li></ol>  |
| Jack will not descend to minimum height, or will not remain in lowered position. | <ol style="list-style-type: none"><li>1. Air trapped in system.</li><li>2. Reservoir oil overfilled.</li></ol>   | <ol style="list-style-type: none"><li>1. Check and ensure proper oil level.</li><li>2. Vent air out of system. Follow "AIR VENTING PROCEDURES" instructions.</li></ol>                                       |
| Jack will not lift to max height.  | <ol style="list-style-type: none"><li>1. Low oil level.</li></ol>  | <ol style="list-style-type: none"><li>1. Check and ensure proper oil level.</li><li>2. Follow "MAINTENANCE" instructions.</li></ol>  |
| Jack will not function properly after trying solution.                           | <ol style="list-style-type: none"><li>1. Internal malfunction or structural damage.</li></ol>  | <ol style="list-style-type: none"><li>1. Discontinue use and contact a local repair center.</li></ol>  |



## PARTS LIST

| Part | Description          | Qty | Part | Description       | Qty | Part | Description         | Qty |
|------|----------------------|-----|------|-------------------|-----|------|---------------------|-----|
| 1    | Lifting arm assembly | 1   | 13   | Hydraulic unit    | 1   | 25   | Pin                 | 1   |
| 2    | Handle               | 1   | 14   | Torsion spring    | 1   | 26   | Washer              | 2   |
| 3    | Handle socket        | 1   | 15   | Socket shaft      | 1   | 27   | Nut                 | 2   |
| 4    | Socket screw         | 1   | 16   | Washer            | 2   | 28   | Washer              | 2   |
| 5    | Socket pin           | 1   | 17   | Washer            | 2   | 29   | Link pin            | 2   |
| 6    | Side wall            | 1   | 18   | Link shaft        | 1   | 30   | Screw               | 1   |
| 7    | Washer               | 6   | 19   | Retaining ring    | 2   | 31   | Washer              | 1   |
| 8    | Nut                  | 4   | 20   | Nut               | 2   | 32   | Foot plate assembly | 1   |
| 9    | Screw                | 2   | 21   | Front wheel       | 2   | 33   | Bolt                | 1   |
| 10   | Swivel caster        | 2   | 22   | Return spring     | 2   | 34   | Side wall           | 1   |
| 11   | Back shaft           | 1   | 23   | Front wheel shaft | 1   | 35   | Retaining ring      | 2   |
| 12   | Return spring        | 1   | 24   | Saddle            | 1   |      |                     |     |

www.kingtony.com  
 customer service e-mail : service@kingtony.com

